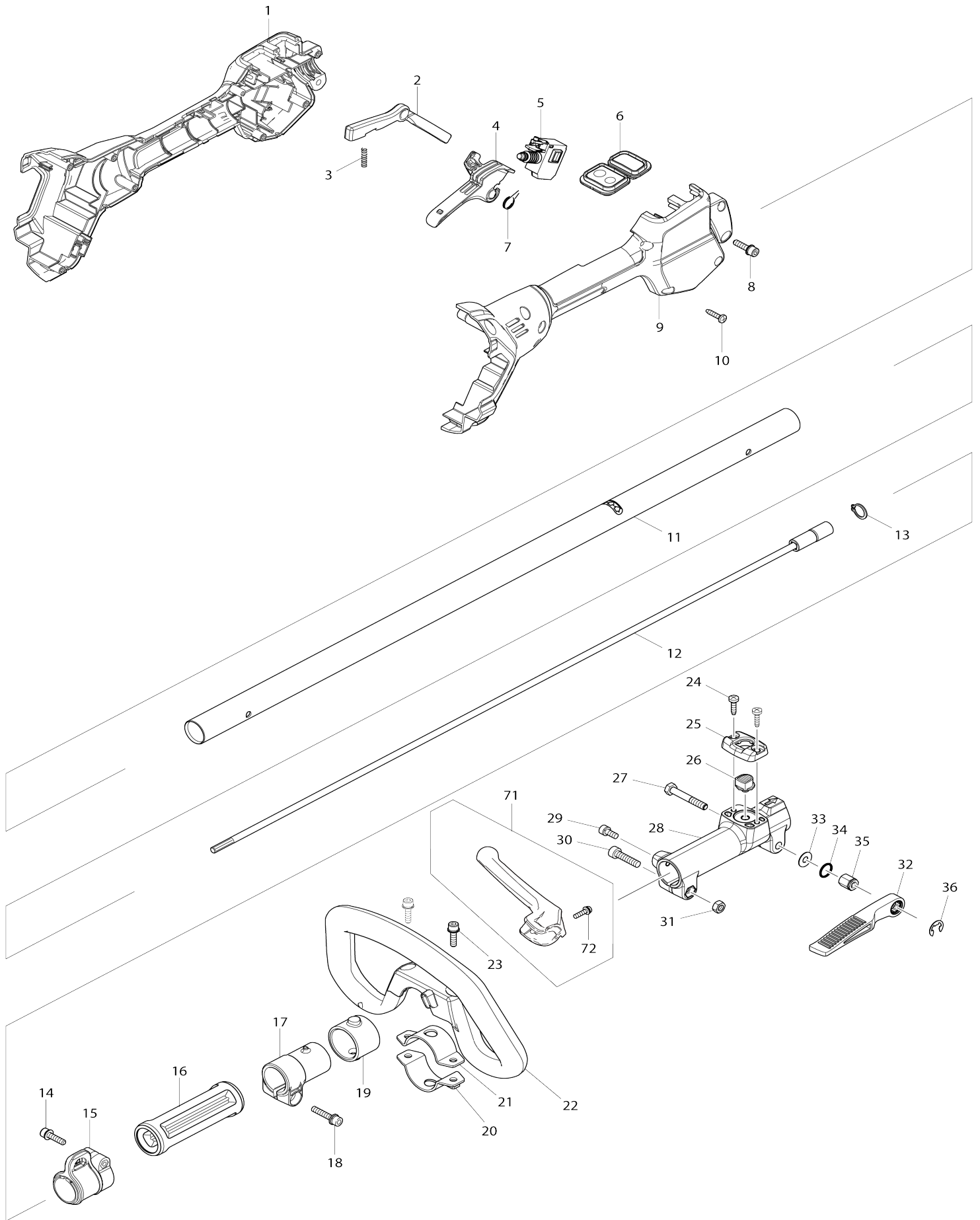
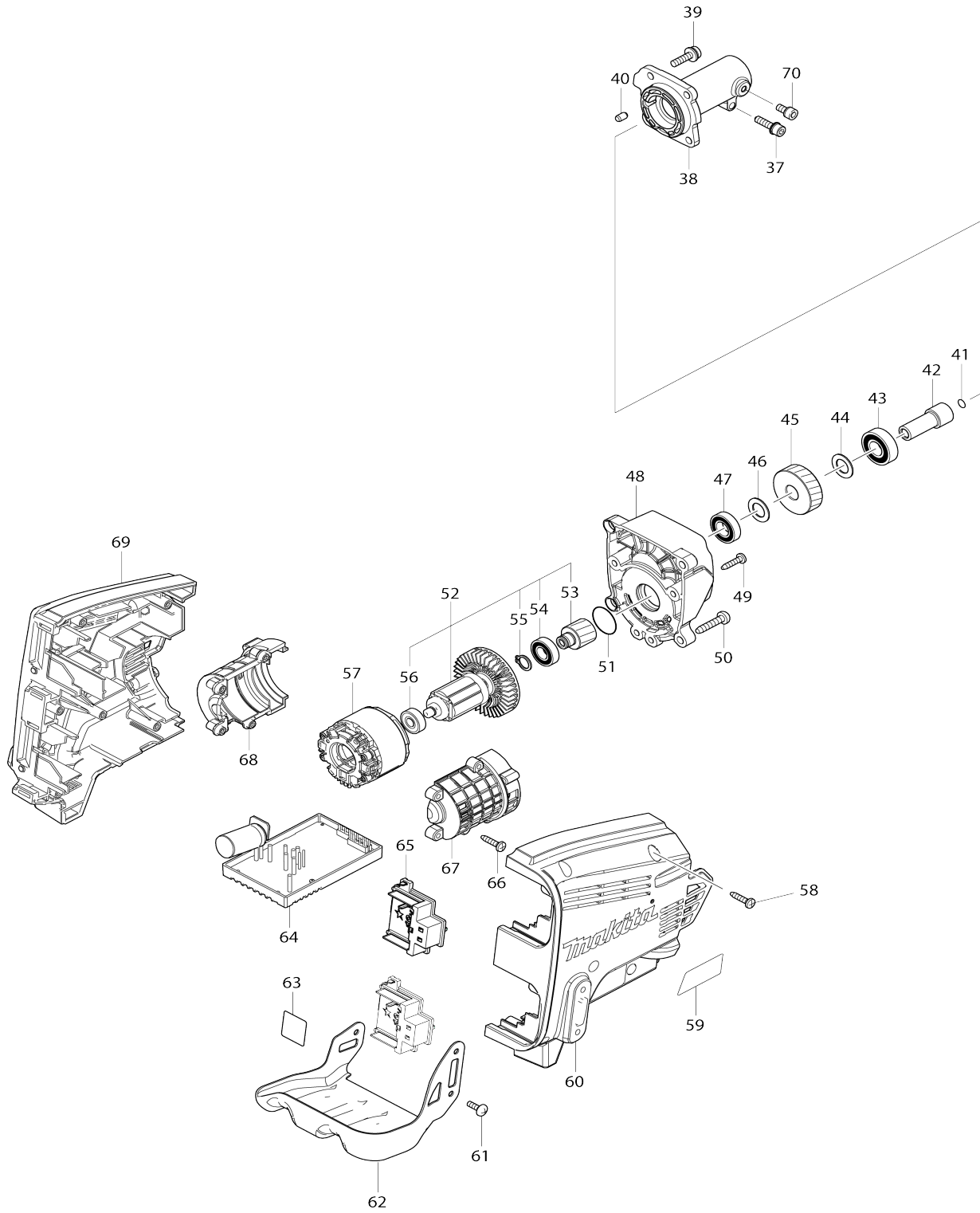


# Model No.DUX60 CRDLSS MULTI FNCTN POWER HEAD



# Model No.DUX60 CRDLSS MULTI FNCTN POWER HEAD



Model No.DUX60 CRDLSS MULTI FNCTN POWER HEAD

Item No.	Parts No.	Description	Interc hang eabilit y	Q'ty	New/ Old	Note1	Note2
001	183G31-7	GRIP SET		1			
C10	931202-6	HEX. NUT M5		1			
D10		INC. 9					
002	457773-0	LOCK OFF LEVER		1			
003	233101-1	COMPRESSION SPRING 4		1			
004	457771-4	SWITCH LEVER		1			
005	650709-0	SWITCH C3JW-1A-P		1			
006	144570-0	SUB CONTROLLER COMPLETE		1	*		
006-1	141J14-1	SUB CONTROLLER COMPLETE	S	1			
007	233540-5	TORSION SPRING 11		1			
008	922233-6	H.S.H.BOLT M5X20 WITH WR		1			
009	183G31-7	GRIP SET		1			
C10	931202-6	HEX. NUT M5		1			
D10		INC. 1					
010	266326-2	TAPPING SCREW 4X18		8			
011	141499-1	SHAFT PIPE B COMPLETE		1			
C10	898125-0	CAUTION LABEL		1	*		
C11	8029L8-6	CAUTION LABEL	<	1			
012	141238-9	SHAFT B COMPLETE		1			
013	961052-5	RETAINING RING (EXT) S-12		1			
014	922233-6	H.S.H.BOLT M5X20 WITH WR		1			
015	168478-4	HANGER		1			
C10	931202-6	HEX. NUT M5		1			
016	451601-1	SPACER 24		1			
017	457269-1	PIPE HOLDER 24		1			
018	922244-1	H.S.H.BOLT M5X25 WITH WG		1			
019	424942-8	DAMPER		1			
020	347114-7	LOWER CLAMP 35		1			
021	347113-9	UPPER CLAMP 35		1			
022	457772-2	LOOP HANDLE		1			
C10	263005-3	RUBBER PIN 6		1			
023	922233-6	H.S.H.BOLT M5X20 WITH WR		2			
024	266034-5	TAPPING SCREW CT 4X16		2			
025	452840-6	RELEASE BUTTON COVER		1			
026	452839-1	RELEASE BUTTON		1			
027	265596-0	HEX.BOLT M6X40		1			
028	318750-6	JOINT 24		1	*		
028-1	312D49-5	JOINT24	<	1			
029	922211-6	H.S.H.BOLT M5X12 WITH W		1			
030	922342-1	HEX. SOCKET HEAD BOLT M6X25		1			
031	931302-2	HEX. NUT M6		1			
032	272268-0	LEVER 94		1			
033	253332-6	THIN WASHER 6		1			
034	213105-9	O RING 11		1			
035	252159-1	HEX. NUT M6		1			
036	961014-3	STOP RING E-8		1			
037	922233-6	H.S.H.BOLT M5X20 WITH WR		1			

038	319609-0	PIPE BRACKET		1	*		
038-1	319919-5	PIPE BRACKET	O	1			
039	911233-1	PAN HEAD SCREW M5X20		4			
040	263002-9	RUBBER PIN 4		1			
041	213045-1	O-RING 6		1			
042	325811-5	SPINDLE HUB		1			
043	211148-5	BALL BEARING 6001ZZ		1			
044	253744-3	FLAT WASHER 12		1			
045	227720-3	HELICAL GEAR 33		1			
046	253744-3	FLAT WASHER 12		1			
047	211150-8	BALL BEARING 6901ZZ		1	*		
047-1	210260-8	BALL BEARING 6901ZZ	O	1			
048	319608-2	GEAR BOX		1			
049	266326-2	TAPPING SCREW 4X18		4			
050	266041-8	TAPPING SCREW 5X25		4			
051	213961-7	O RING 22		1			
052	519447-2	ROTOR ASS'Y		1	*		
D10		INC. 53-56					
052-1	510506-5	ROTOR ASS'Y	O	1			
D10		INC. 53-56					
053	227721-1	HELICAL GEAR 16		1			
054	210069-8	BALL BEARING 6900DDW		1	*		
054-1	210258-5	BALL BEARING 6900DDW	O	1			
055	961006-2	RETAINING RING S-10		1			
056	210062-2	BALL BEARING 607ZZ		1	*		
056-1	210269-0	BALL BEARING 607ZZ	O	1			
057	629269-3	STATOR		1	*		
057-1	629C03-9	STATOR	S	1			
058	266326-2	TAPPING SCREW 4X18		6			
059	853S61-1	DUX60 NAME PLATE		1			
060	183G29-4	HOUSING SET		1			
C10	263005-3	RUBBER PIN 6		4			
C20	252126-6	HEX. LOCK NUT M4-7		3			
D10		INC. 69					
061	251314-2	+ SCREW M4X12		3			
062	346858-6	BATTERY GUARD		1			
063	853S66-1	DUX60 SERIAL NO. LABEL		1			
064	620676-3	CONTROLLER		1	*		
064-1	620A23-4	CONTROLLER	<	1	*		
064-2	620F08-0	CONTROLLER	<	1	*		
064-3	620D86-8	CONTROLLER	S	1	*		
064-4	620L72-7	CONTROLLER	S	1			
065	644809-6	TERMINAL		2			
066	266326-2	TAPPING SCREW 4X18		4			
067	183G30-9	MOTOR HOUSING SET		1			
D10		INC. 68					
068	183G30-9	MOTOR HOUSING SET		1			
D10		INC. 67					
069	183G29-4	HOUSING SET		1			
C10	263005-3	RUBBER PIN 6		4			
C20	252126-6	HEX. LOCK NUT M4-7		3			
D10		INC. 60					

070	922211-6	H.S.H.BOLT M5X12 WITH W		1		
071	144315-6	BARRIER COMPLETE		1		
D10		INC. 72				
072	911128-8	P.H.SCREW M4X16 WITH WR		1		
073	620K74-7	CONTROLLER B	S	1		
074	652119-7	PAN HEAD SCREW M2X6	S	6		
A01	125516-5	BAND ASSEMBLY		1		
A02	783202-0	HEX. WRENCH 4		1		
A04	831304-7	ACCESSORY BAG		1		
F47	1915D8-4	TRIMMER HEAD 96-M10L SET		1		
F48	1914R8-6	TRIMMER HEAD ASSEMBLY 98-M 10L		1		
A03	195246-2	SAFETY GOGGLE		1	*	
A05	782210-8	SOCKET WRENCH 17		1	*	
A05-1	782238-6	BOX WRENCH 17	<	1		
A07	456924-2	TOOL COVER		1		
A08	195150-5	CUTTER BLADE SET		1		
A09	***EM404MP	BRUSH CUTTER ATTACHMENT		1		
D10		INC. A05,A06				
D11		INC. A05				
A10	195638-5	TOOL BAG SET		1		

Please state Parts No. when your order.

Print Date 08/28/2024