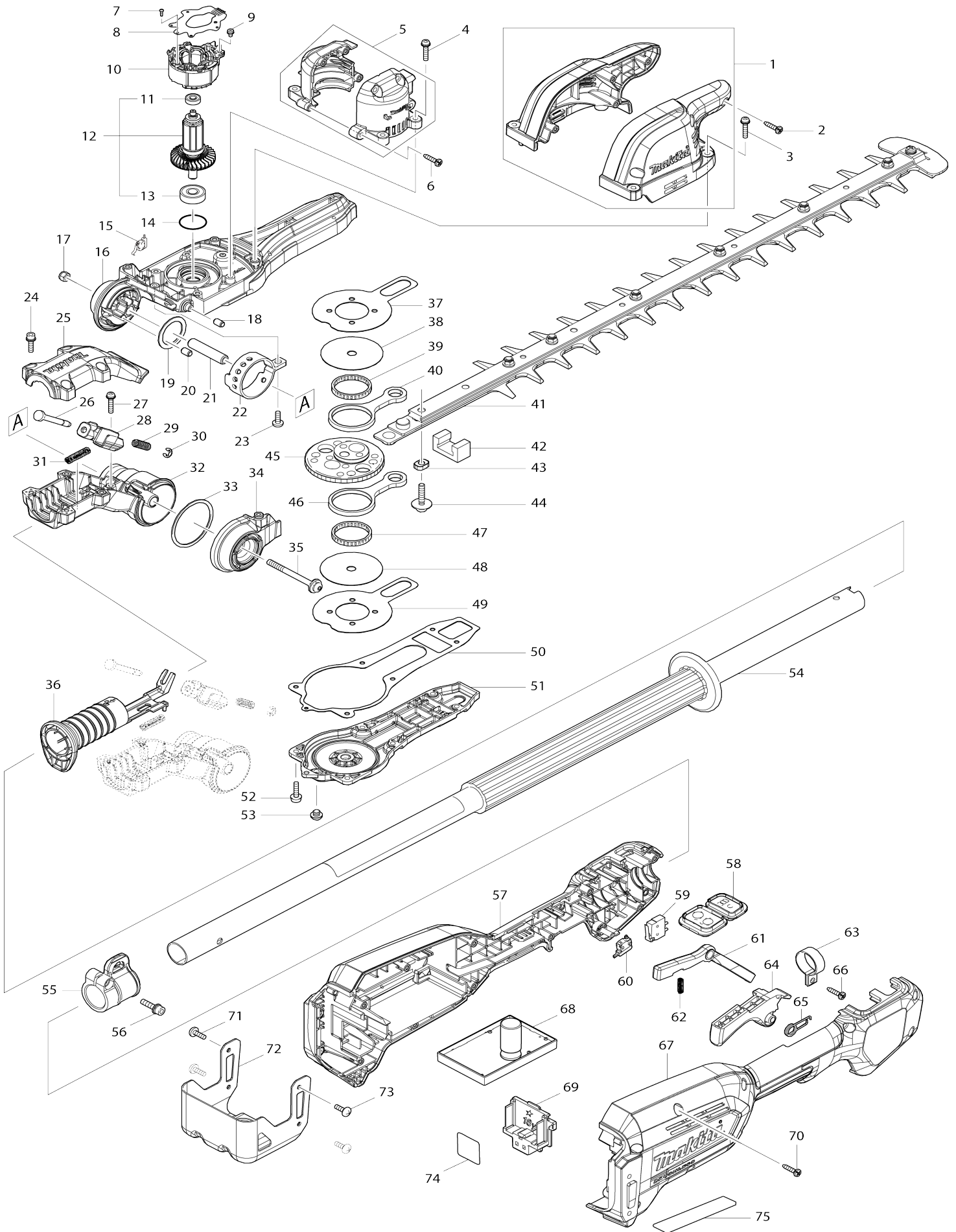


Model No. DUN500W CORDLESS POLE HEDGE TRIMMER



Model No.DUN500W CORDLESS POLE HEDGE TRIMMER

Item No.	Parts No.	Description	Interchangability	Q'ty	New/Old	Note1	Note2
001	183N85-6	HOUSING SET		1			
002	266326-2	TAPPING SCREW 4X18		4			
003	911138-5	P.H.SCREW M4X20 WITH WR		4			
004	911138-5	P.H.SCREW M4X20 WITH WR		4			
005	183N83-0	MOTOR HOUSING SET		1			
006	266326-2	TAPPING SCREW 4X18		4			
007	266490-9	TAPPING SCREW PT 2X6		3			
008	620B02-8	CONTROLLER B		1			
009	652069-6	FLAT HEAD SCREW M3X6		3			
010	629352-6	STATOR		1			
011	211157-4	BALL BEARING 695ZZ		1			
012	519598-1	ROTOR ASSY		1			
D10		INC. 11,13					
013	210005-4	BALL BEARING 608DDW		1			
014	213961-7	O RING 22		1			
015	632P71-1	SWITCH UNIT		1			
016	140R17-0	GEAR HOUSING COMPLETE		1			
017	252103-8	HEX. LOCK NUT M5-8		1			
018	263005-3	RUBBER PIN 6		1			
019	267304-5	FLAT WASHER 25		1			
020	263005-3	RUBBER PIN 6		3			
021	257761-5	SLEEVE 6		1			
022	347656-1	ANGULAR HOLDER		1			
023	265487-5	H.S. BUTTON HEAD BOLT M5X16		1			
024	922128-3	HEX. SOCKET HEAD BOLT M4X16		4			
025	319952-7	PIPE HOLDER COVER 24		1			
026	327514-7	STOPPER PIN		1			
027	911138-5	P.H.SCREW M4X20 WITH WR		1			
028	412295-7	STOPPER PIN HOLDER		1			
029	233096-8	COMPRESSION SPRING 5		1	*		
029-1	231294-8	COMPRESSION SPRING 6	<	1			
030	961011-9	STOP RING E-4		1			
031	232299-1	COMPRESSION SPRING 5		1			
032	319950-1	PIPE HOLDER 24		1			
033	267190-4	FLAT WASHER 45		1			
034	319951-9	SIDE COVER		1			
035	265A90-8	H.S.B. HEAD BOLT M5X60 WITH WR		1			
036	412296-5	SLIDE GRIP 24		1			
037	347361-0	FRICTION PLATE		1			
038	347661-8	PLATE		1			
039	212229-8	NEEDLE CAGE 315		1			
040	347662-6	CONNECTING ROD		1			
041	191C14-9	SHEAR BLADE 500 SET		1			
C10	197438-9	GREASE VESSEL SET(D)		1	*		
C11	199450-5	GREASE VESSEL SET	O	1	*		
C20	345205-8	BRANCH CATCHER		1			
C30	911208-0	PAN HEAD SCREW M5X10		1			

C40	252311-1	COLLARED HEX. LOCK NUT M5-8		6		
C50	257439-0	SLEEVE 5		6		
C60	253558-0	FLAT WASHER 5		6		
C70	265181-9	+TRUSS HEAD SCREW M5X20		6		
D10		INC. 43				
042	443159-4	SEAL		1		
043	257439-0	SLEEVE 5		2		
044	265A89-3	H.S.H.BOLT M5X25 WITH WR		2		
045	226958-7	HELICAL GEAR 68		1		
046	347662-6	CONNECTING ROD		1		
047	212229-8	NEEDLE CAGE 315		1		
048	347661-8	PLATE		1		
049	347361-0	FRICITION PLATE		1		
050	422568-0	GEAR HOUSING GASKET		1		
051	319949-6	GEAR HOUSING COVER		1		
052	922128-3	HEX. SOCKET HEAD BOLT M4X16		6		
053	266559-9	H.S.BUTTON HEAD BOLT M6X4		1		
054	140R22-7	PIPE 24 COMPLETE		1		
C10	8008A7-9	CAUTION LABEL		1		
055	168478-4	HANGER		1		
056	922228-9	H.S.H.BOLT M5X18 WITH WR		1		
057	183N92-9	GRIP HOUSING SET		1		
C10	263005-3	RUBBER PIN 6		2		
C20	252126-6	HEX. LOCK NUT M4-7		4		
D10		INC. 67				
058	140R24-3	SUB CONTROLLER COMPLETE		1		
C10	8008M5-7	SWITCH LABEL		1		
059	632E26-0	SWITCH UNIT		1		
060	632L49-0	SWITCH UNIT		1		
061	457773-0	LOCK OFF LEVER		1		
062	233101-1	COMPRESSION SPRING 4		1		
063	346248-3	CLAMP 24		1		
064	412285-0	SWITCH LEVER		1		
065	233612-6	TORSION SPRING 10		1		
066	266326-2	TAPPING SCREW 4X18		1		
067	183N92-9	GRIP HOUSING SET		1		
C10	263005-3	RUBBER PIN 6		2		
C20	252126-6	HEX. LOCK NUT M4-7		4		
D10		INC. 57				
068	620C77-3	CONTROLLER		1	*	
068-1	620P67-4	CONTROLLER	O	1		
069	644809-6	TERMINAL		1		
070	266326-2	TAPPING SCREW 4X18		9		
071	251314-2	+ SCREW M4X12		2		
072	347655-3	BATTERY GUARD		1		
073	251314-2	+ SCREW M4X12		2		
074	856T84-4	DUN500W SERIAL NO. LABEL		1		
075	856T79-7	DUN500W NAME PLATE		1		
A01	125516-5	BAND ASSEMBLY		1		
A02	458413-3	BLADE COVER 500		1		
E01	807E85-5	SOUND 92DB LABEL		1		

E02	632P62-2	LEAD UNIT		1			
E03	632P79-5	LEAD UNIT		1			
F01	191C14-9	SHEAR BLADE 500 SET		1			
F05-1	1910M5-3	CHIP RECEIVER 500 SET	<	1			

Please state Parts No. when your order.

Print Date 09/10/2024