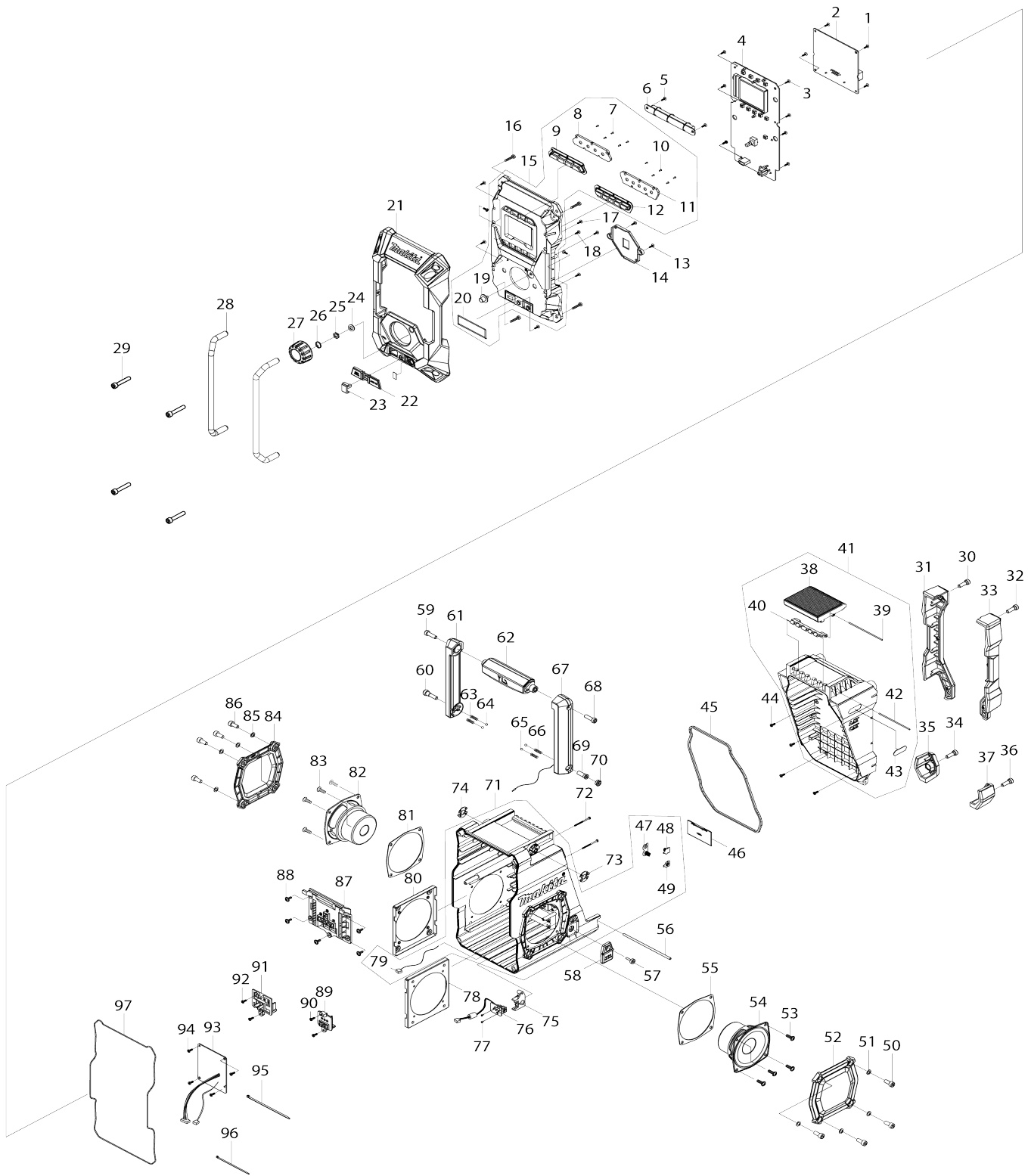


Model No.MR002G JOB SITE RADIO



Model No.MR002G JOB SITE RADIO

Item No.	Parts No.	Description	Interchangability	Q'ty	New/Old	Note1	Note2
001	SE00000521	SCREW PTB 3X8(ZK) 29S16308001		4			
002	SE00000902	PCB A ASS'Y		1			
003	SE00000521	SCREW PTB 3X8(ZK) 29S16308001		7			
004	SE00000906	PCB C ASS'Y		1	*		
004-1	SE00001304	PCB C ASS'Y	<	1			
005	SE00000521	SCREW PTB 3X8(ZK) 29S16308001		2			
006	SE00000848	PCB P ASS'Y (BAR ANT)		1			
007	SE09090011	SCREW 1.7		5			
008	SE00000907	POWER KEY HOLDER		1			
009	SE00000908	POWER KEY		1			
010	SE09090011	SCREW 1.7		5			
011	SE00000909	PRESET KEY HOLDER		1			
012	SE00000910	PRESET KEY		1			
013	SE00000521	SCREW PTB 3X8(ZK) 29S16308001		2			
014	SE00000911	KNOB LENS HOLDER		1			
015	SE00000912	FRONT CABINET ASS'Y MR002G		1			
D10		INC. 7-12,19,20					
016	SE09064161	SCREW M4X16		4			
017	SE00000854	SCREW PTF 3X6(ZK)		2			
018	SE00000521	SCREW PTB 3X8(ZK) 29S16308001		7			
019	SE00000855	RUBBER KEY		1			
020	SE00000856	FRONT PACKING		1			
021	SE00000913	FRONT BUMPER ASS'Y		1			
022	SE00000916	JACK RUBBER COVER		1			
023	SE00000860	JACK COVER		1			
024	SE00000754	EN/SW WASHER		1			
025	SE00000755	EN/SW NUT		1			
026	SE21B1110A	ROTARY KNOB RING		1			
027	SE00000861	ROTARY KNOB(BLK)		1			
028	SE00000862	FRONT BAR		2			
029	SE00000709	SCREW PTHE 6X33(CR)		4			
030	SE09176166	HEX SCREW M6X16		1			
031	SE00000863	BATTERY BUMPER-L		1			
032	SE09176166	HEX SCREW M6X16		1			
033	SE00000864	BATTERY BUMPER-R		1			
034	SE09176166	HEX SCREW M6X16		1			
035	SE00000865	REAR BUMPER-L		1			
036	SE09176166	HEX SCREW M6X16		1			
037	SE00000866	REAR BUMPER-R		1			
038	SE00000917	LOCKER COVER		1			
039	SE00000868	PIN D2X84		1			
040	SE00000536	LOCKER HINGE 3300B30000010		1			
041	SE00000920	BATTERY COVER ASS'Y		1			
D10		INC. 38-40,42,43					

042	SE00000539	PIN D2X77 2100B300200		1		
043	SE00000872	XGT PLATE		1		
044	SE00000521	SCREW PTB 3X8(ZK) 29S1630800 1		4		
045	SE00000873	BATTERY COVER PACKING		1		
046	SE0307PC5Z	BACK UP BATTERY COVER		1		
047	SE021E9030	+/- BATTERY CONTACT ASS'Y		1		
048	SE00000467	BATTERY CONTACT (-)2100PL002 00		1		
049	SE00000466	BATTERY CONTACT(+) 2100RA00 700		1		
050	SE9076146A	HEX SCREW M6X14		4		
051	SE024J9070	PACKING		4		
052	SE00000874	SPEAKER PANEL ASS'Y		1		
053	SE09090023	SCREW M4X12		4		
054	SE00000875	RIGHT SPEAKER ASS'Y		1		
055	SE00000876	SPEAKER PACKING		1		
056	SE00000877	BATTERY COVER FIXER PIN		1		
057	SE00000404	SCREW PTHE 3X14(CR)		1		
058	SE00000878	DC JACK COVER		1		
059	SE00000176	SCREW PTHE6X20(CR)		1		
060	SE00000715	SCREW PTHE 6X17(CR)		1		
061	SE00000879	HANDLE L		1		
062	SE00000881	HANDLE BAR		1		
063	SE00000184	SPRING		2		
064	SE09994007	STEEL BALL		2		
065	SE09994007	STEEL BALL		2		
066	SE00000184	SPRING		2		
067	SE00000883	HANDLE R ANT(B)		1		
068	SE00000176	SCREW PTHE6X20(CR)		1		
069	SE00000716	SCREW PTHE 7X16(CR)		1		
070	SE00000717	SCREW PTHE 10.8X4.5(CR)		1		
071	SE00000926	REAR CABINET ASS'Y		1		
D10		INC. 47,48,49,79				
072	SE00000445	SCREW PTB 3X45(NI)		2		
073	SE00000888	HANDLE SUS-PLATE(R)		1		
074	SE00000889	HANDLE SUS-PLATE(L)		1		
075	SE00000929	DC JACK HOLDER		1		
076	SE00000930	PCB F ASS'Y (DC JACK)		1		
077	SE09090011	SCREW 1.7		2		
078	SE00000892	SPEAKER HOLDER		1		
079	SE00000587	LEAD WIRE W/CONNECTOR 170 MM		1		
080	SE00000892	SPEAKER HOLDER		1		
081	SE00000876	SPEAKER PACKING		1		
082	SE00000893	LEFT SPEAKER ASS'Y		1		
083	SE09090023	SCREW M4X12		4		
084	SE00000874	SPEAKER PANEL ASS'Y		1		
085	SE024J9070	PACKING		4		
086	SE9076146A	HEX SCREW M6X14		4		
087	SE00000894	XGT TERMINAL(36V) ASS'Y		1		
088	SE00000193	SCREW 3X10		5		
089	SE00000895	CXT TERMINAL 10.8v-A-3PIN ASS'		1		

090	SE00000521	SCREW PTB 3X8(ZK) 29S1630800 1		2			
091	SE00000896	LXT TERMINAL(18V) ASS'Y		1			
092	SE00000521	SCREW PTB 3X8(ZK) 29S1630800 1		2			
093	SE00000897	PCB D+M ASS'Y (BATT._DET)		1			
094	SE00000521	SCREW PTB 3X8(ZK) 29S1630800 1		4			
095	SE00000898	W/TIES 150mm		1			
096	SE00000195	W/TIES 100MM		1			
097	SE00000899	REAR CABINET PACKING		1			
A01	SE00000679	AC ADAPTER (CE)		1			

Please state Parts No. when your order.

Print Date 08/28/2024