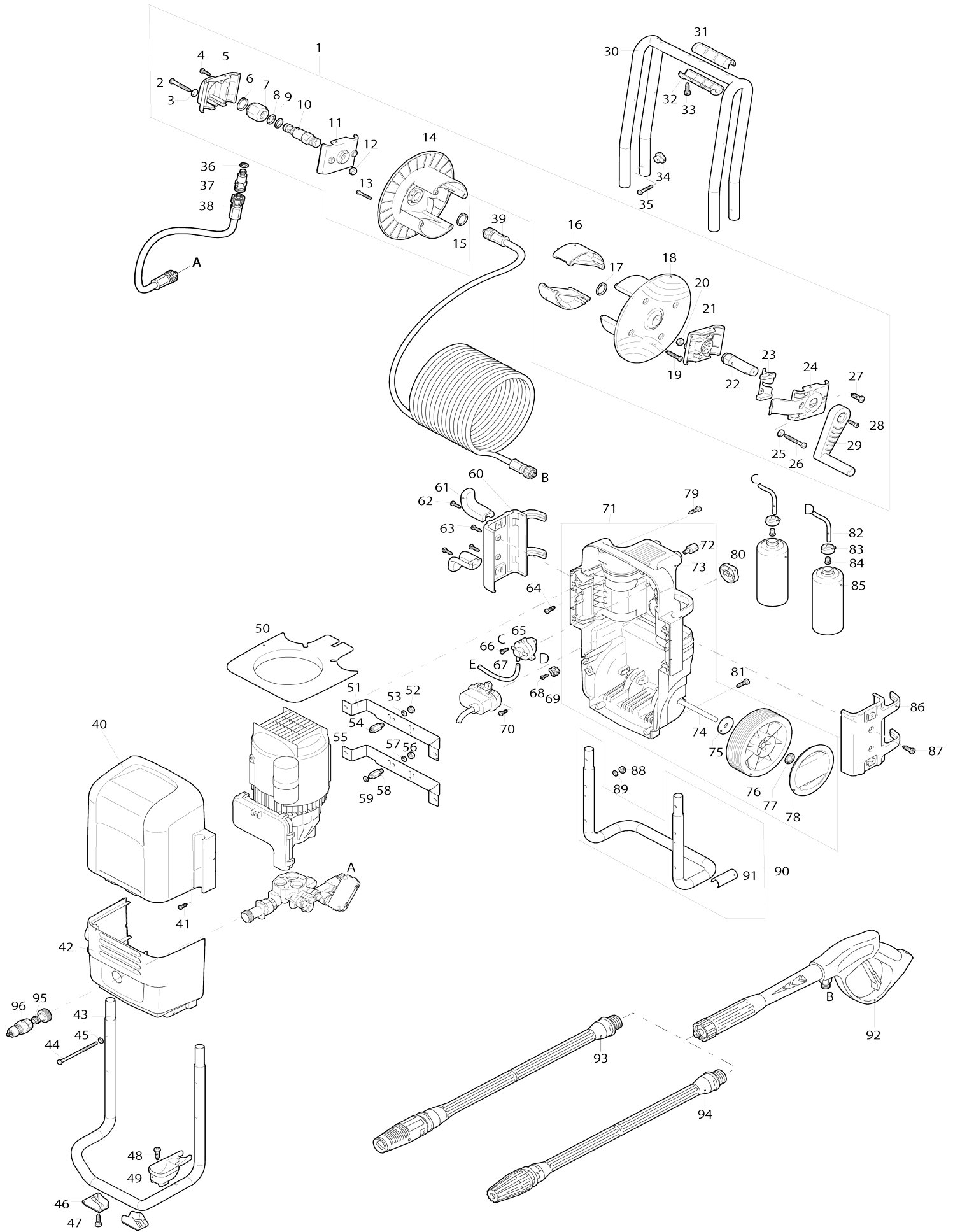
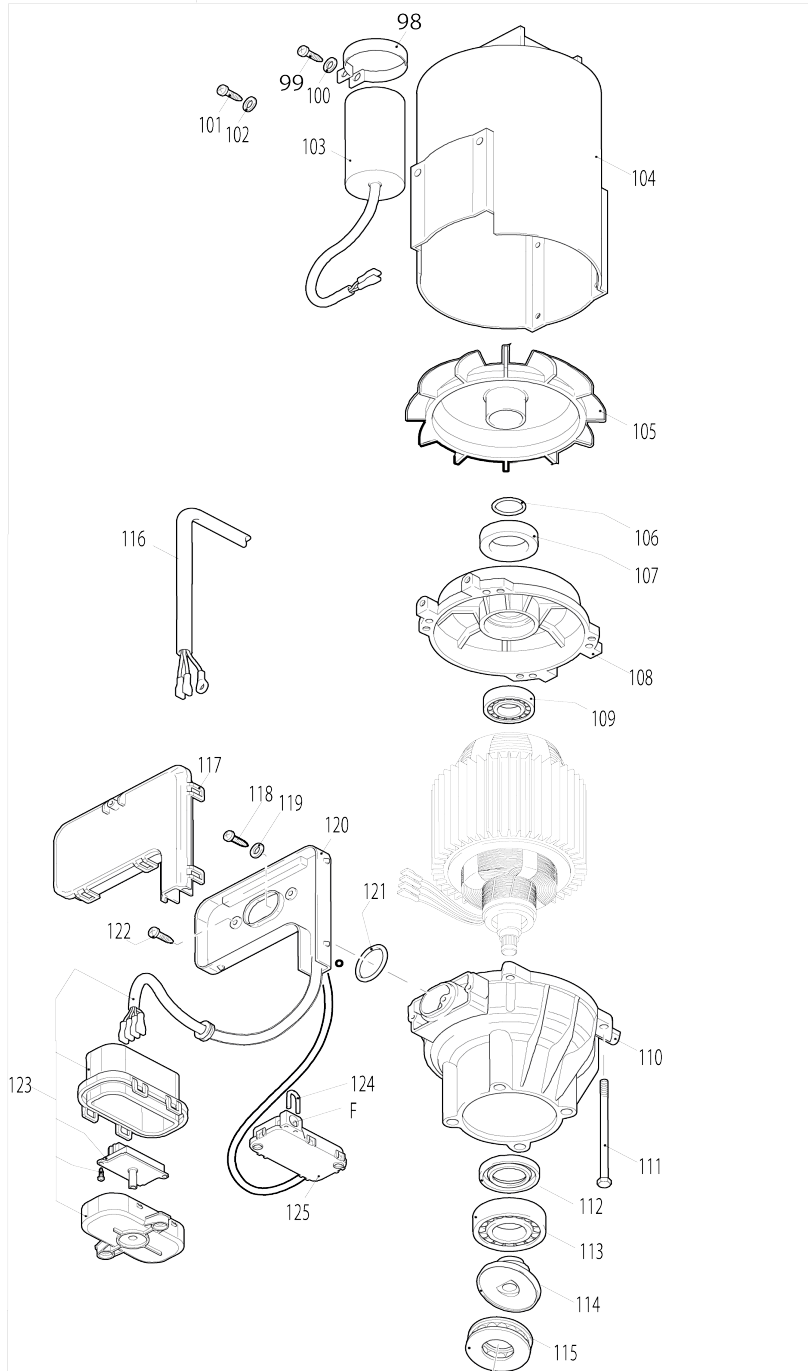


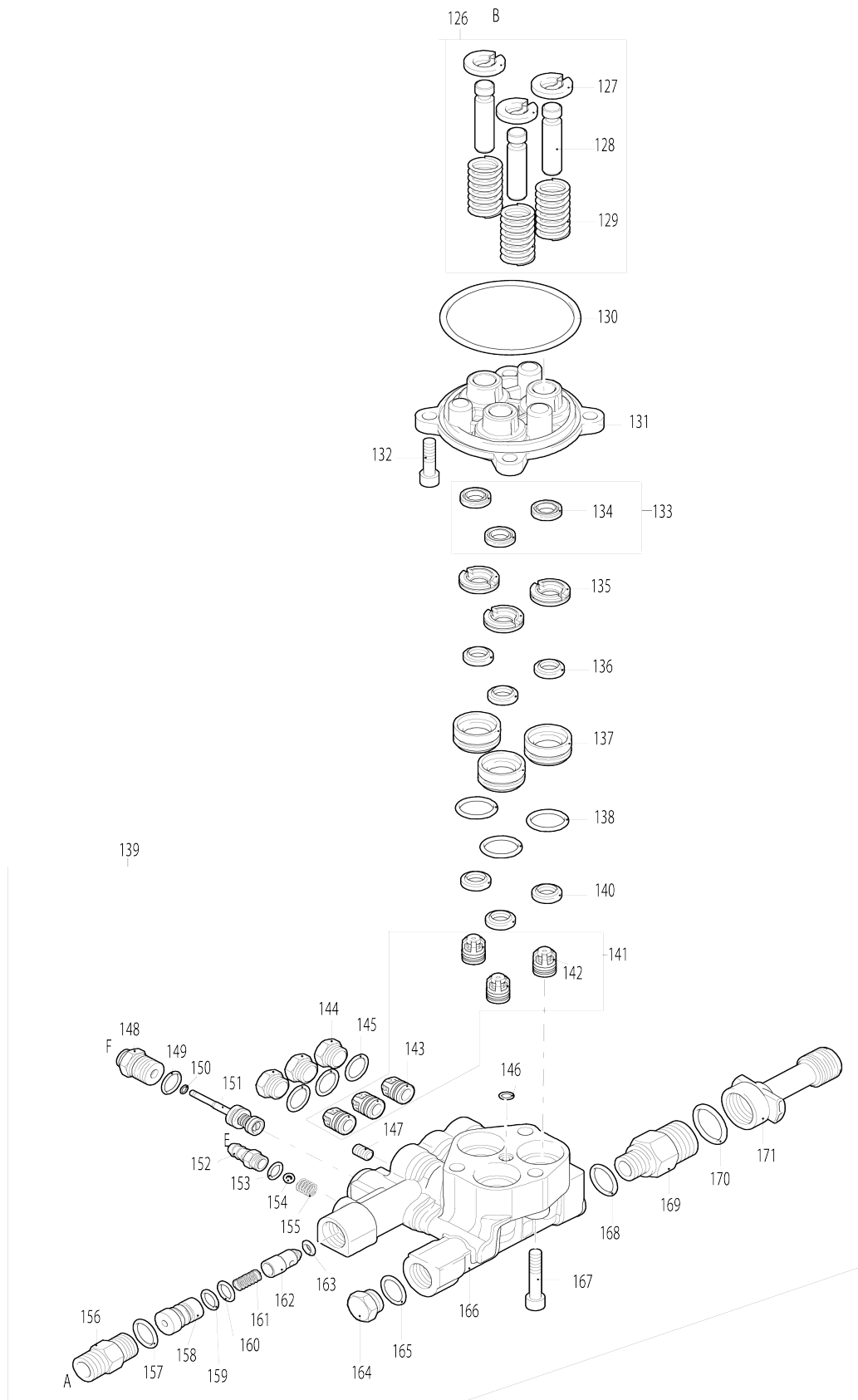
Model No.HW140 HIGH PRESSURE WASHER



97



Model No.HW140 HIGH PRESSURE WASHER



Model No.HW140 HIGH PRESSURE WASHER

Item No.	Parts No.	Description	Interchangeability	Q'ty	New/Old	Note1	Note2
001	609042581	HOSE REEL ASSEMBLY		1			
D10		INC. 2-29					
002	609580330	PAN HEAD SCREW M5X40		2			
003	609470390	FLAT WASHER 5		2			
004	609100300	SCREW 5X16		1			
005	609580150	HOSE REEL BRACKET L OUTSIDE		1			
006	609480890	RETAINING RING ØE 17		1			
007	609600220	REEL AXLE LEFT OUTSIDE		1			
008	609390080	O-RING Ø 11,91X2,62		1			
009	609390080	O-RING Ø 11,91X2,62		1			
010	609580340	REEL AXLE LEFT INSIDE		1			
011	609580160	HOSE REEL BRACKET INSIDE		1			
012	609480640	NYLON INSERT HEX.LOCK NUT M5		2			
013	609021780	TAPPING SCREW 4X32		4			
014	609360230	HOSE REEL DRUM HARF		1			
015	609380420	RETAINING RING Ø 22		1			
016	609580120	HOSE REEL EXTENSION SPACER		2			
017	609380420	RETAINING RING Ø 22		1			
018	609360230	HOSE REEL DRUM HARF		1			
019	609021780	TAPPING SCREW 4X32		4			
020	609480640	NYLON INSERT HEX.LOCK NUT M5		2			
021	609580160	HOSE REEL BRACKET INSIDE		1			
022	609580350	REEL AXLE LEFT		1			
023	609580130	HOSE REEL LOCK		1			
024	609580140	HOSE REEL BRACKET R OUTSIDE		1			
025	609470390	FLAT WASHER 5		2			
026	609580330	PAN HEAD SCREW M5X40		2			
027	609100300	SCREW 5X16		1			
028	609360360	HEX SOCKET BOLT M5X10		1			
029	609360150	CRANK LEVER		1			
030	609580080	PIPE FRAME UPPER		1			
031	609580180	GRIP COVER UPPER		2			
032	609580090	GRIP COVER LOWER		2			
033	609100300	SCREW 5X16		4			
034	609050019	KNOB NUT M6		2			
035	609050037	HEX BOLT M6X40		2			
036	609820510	O-RING Ø 10,82X1,78		1			
037	609600260	FITTING		1			
038	609580360	HIGH PRESSURE HOSE 0.6M ASSY		1			
039	609083550	HIGH PRESSURE HOSE 10M ASSY		1			
040	609580020	FRONT HOUSING UPPER MAKITA		1			
041	609100300	SCREW 5X16		2			
042	609580030	FRONT HOUSING LOWER BLUE		1			
043	609580070	PIPE FRAME LOWER FRONT		1			
044	609320570	HEX BOLT M5X100		4			

045	609480650	FLAT WASHER 5		4		
046	609580270	FOOT		2		
047	609060200	TAPPING SCREW 4.5X16		2		
048	609060200	TAPPING SCREW 4.5X16		1		
049	609580250	ACCESSORIES CAP		1		
050	609580040	PARTITIONplate		1		
051	609580260	SUB FRAME FOR MOTOR		1		
052	609480640	NYLON INSERT HEX.LOCK NUT M 5		2		
053	609480650	FLAT WASHER 5		2		
054	609462400	SPACER BOLT 10 M5X12 M5X15		2		
055	609580260	SUB FRAME FOR MOTOR		1		
056	609480640	NYLON INSERT HEX.LOCK NUT M 5		2		
057	609480650	FLAT WASHER 5		2		
058	609462400	SPACER BOLT 10 M5X12 M5X15		2		
059	609900530	SPACER		2		
060	609580050	ACCESSORIES CARRIER LEFT		1		
061	609360090	CORD FOOK		2		
062	609100300	SCREW 5X16		2		
063	609100300	SCREW 5X16		2		
064	609060200	TAPPING SCREW 4.5X16		2		
065	609440190	DETERGENT VALVE		1		
066	609000110	TAPPING SCREW 3.5X15		3		
067	609580290	SILICONE TUBE 6MM L=0.45M		1		
068	609100300	SCREW 5X16		1		
069	609600100	CABLE GLAND		1		
070	609100300	SCREW 5X16		2		
071	609589000	REAR HOUSING ASSY		1		
D10		INC. 72-78				
072	609180330	RUBBER FOOT		2		
073	609580010	REAR HOUSING		2		
074	609180080	WHEEL AXLE		2		
075	609680890	WASHER 12.5X48X2.5 Z/B		2		
076	609580280	WHEEL 8 INCH		2		
077	609680880	WASHER		2		
078	609580170	WHEEL COVER MAKITA		2		
079	609100300	SCREW 5X16		2		
080	609900220	DETERGENT VALVE KNOB		2		
081	609100300	SCREW 5X16		2		
082	609580300	SILICONE TUBE 6MM L=0.55M		2		
083	609580190	DETERGENT TANK CAP		2		
084	609000230	FILTER		2		
085	609180130	DETERGENT TANK		2		
086	609580050	ACCESSORIES CARRIER LEFT		1		
087	609100300	SCREW 5X16		2		
088	609480640	NYLON INSERT HEX.LOCK NUT M 5		4		
089	609480650	FLAT WASHER 5		4		
090	609580060	PIPE FRAME LOWER REAR ASSY		1		
D10		INC. 91				
091	609580370	PIPE FRAME PROTECTOR		2		

092	609041154	TRIGGER GUN SET AR	1		
093	609040246	SPRAY LANCE WIDE/NALLOW AR	1		
094	609040167	CYCLON JET NOZZLE SET AR	1		
095	609082130	HOSE QUICK COUPLING	1		
096	609040086	QUICK COUPLING NIPPLE G3/4	1		
097	609044111	MOTOR ASSY 230V 50HZ EURO P LUG	1		
D10		INC. 98-125			
098	609340280	CAPACITOR CLAMP BAND	1		
099	609460460	PAN HEAD SCREW M5X16	1		
100	609680960	FLAT WASHER 5	1		
101	609460460	PAN HEAD SCREW M5X16	1		
102	609680960	FLAT WASHER 5	1		
103	609900980	CAPACITOR	1		
104	609460340	motor shroud	1		
105	609460370	COOLING FAN	1		
106	609394280	O-RING Ø 12,42X1,78	1		
107	609461200	OIL SEAL	1		
108	609460040	MOTOR HOUSING UPPER	1		
109	609460590	BALL BEARING	1		
110	609900010	MOTOR HOUSING LOWER	1		
111	609320830	HEX BOLT M5X110	4		
112	609460530	OIL SEAL	1		
113	609780490	BALL BEARING	1		
114	609900260	WOBBLE PLATE	1		
115	609900170	THRUST BALL BEARING	1		
116	609760450	POWER SUPPLY CORD EURO PLUG	1		
117	609900760	JUNCTION BOX COVER	1		
118	609020570	SCREW M4X12	1		
120	609900750	JUNCTION BOX	1		
121	609660170	O-RING	1		
122	609020570	SCREW M4X12	2		
123	609909209	SWITCH BOX SET	1		
124	609022200	U-PIN	2		
125	609029753	PRESSURE SWITCH	1		
126	609002313	PISTON REPAIR SET(3PCS EACH)	1		
D10		INC. 127-129			
127	609840050	RING	3		
128	609840530	PISTON SET	3		
129	609901170	SPRING 24.8X37.2X2.2	3		
130	609040270	O-RING	1		
131	609900020	PISTON GUIDE	1		
132	609900500	HEX SOCKET BOLT M8X25	4		
133	609042124	OIL SEAL REPAIR SET (3PCS SET)	1		
D10		INC. 134			
134	609683500	OIL SEAL	3		
135	609840540	BUSHING 12	3		
136	609200141	WATER SEAL	3		
137	609840550	BUSHING	3		
138	609770590	O-RING	3		
139	609909134	PUMP HEAD ASSY	1		

140	609200141	WATER SEAL		3		
141	609002233	VALVE REPAIR SET (6PCS SET)		1		
D10		INC. 142,143				
142	609849051	VALVE CPL.		3		
143	609849051	VALVE CPL.		3		
144	609840130	VALVE PLUG		3		
145	609740290	O-RING Ø 14X1,78		3		
146	609480480	O-RING Ø 4,48X1,78		1		
147	609840470	BLIND PLUG		1		
148	609900130	PLUG FOR RESSURE SWITCH		1		
149	609740290	O-RING Ø 14X1,78		1		
150	609120680	O-RING		1		
151	609909005	SPRING ASSEMBLY FOR RESSURE SW		1		
153	609480480	O-RING Ø 4,48X1,78		1		
154	609250280	BALL		1		
155	609560520	SPRING		1		
156	609900120	NIPPLE FOR DETERGENT		1		
157	609740290	O-RING Ø 14X1,78		1		
158	609901060	CHECK VALVE BODY		1		
159	609800560	O-RING Ø 8,73X1,78		1		
160	609800560	O-RING Ø 8,73X1,78		1		
161	609080091	CHECK VALVE PISTON SPRING		1		
162	609901070	CHECK VALVE PISTON		1		
163	609460430	O-RING Ø 4X2,5		1		
164	609980740	BLIND PLUG		1		
165	609740290	O-RING Ø 14X1,78		1		
166	609900430	PUMP HEAD BODY		1		
167	609800220	HEX SOCKET BOLT M8X45		3		
168	609820510	O-RING Ø 10,82X1,78		4		
169	609580320	FITTING		1		
170	609440230	O-RING		1		
171	609440200	EXTENSION 3/4". L=70		1		

Please state Parts No. when your order.

Print Date 10/05/2024