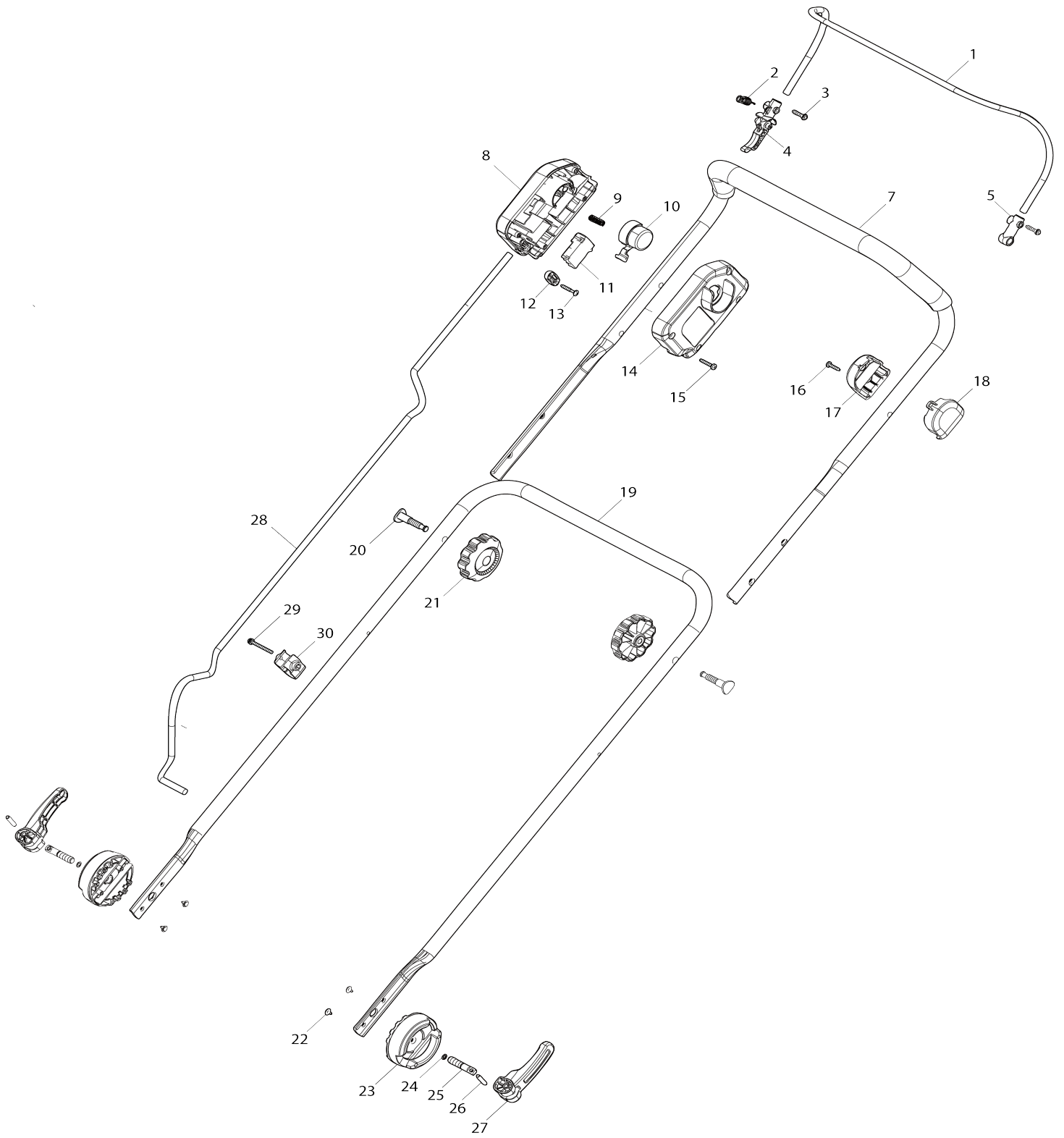
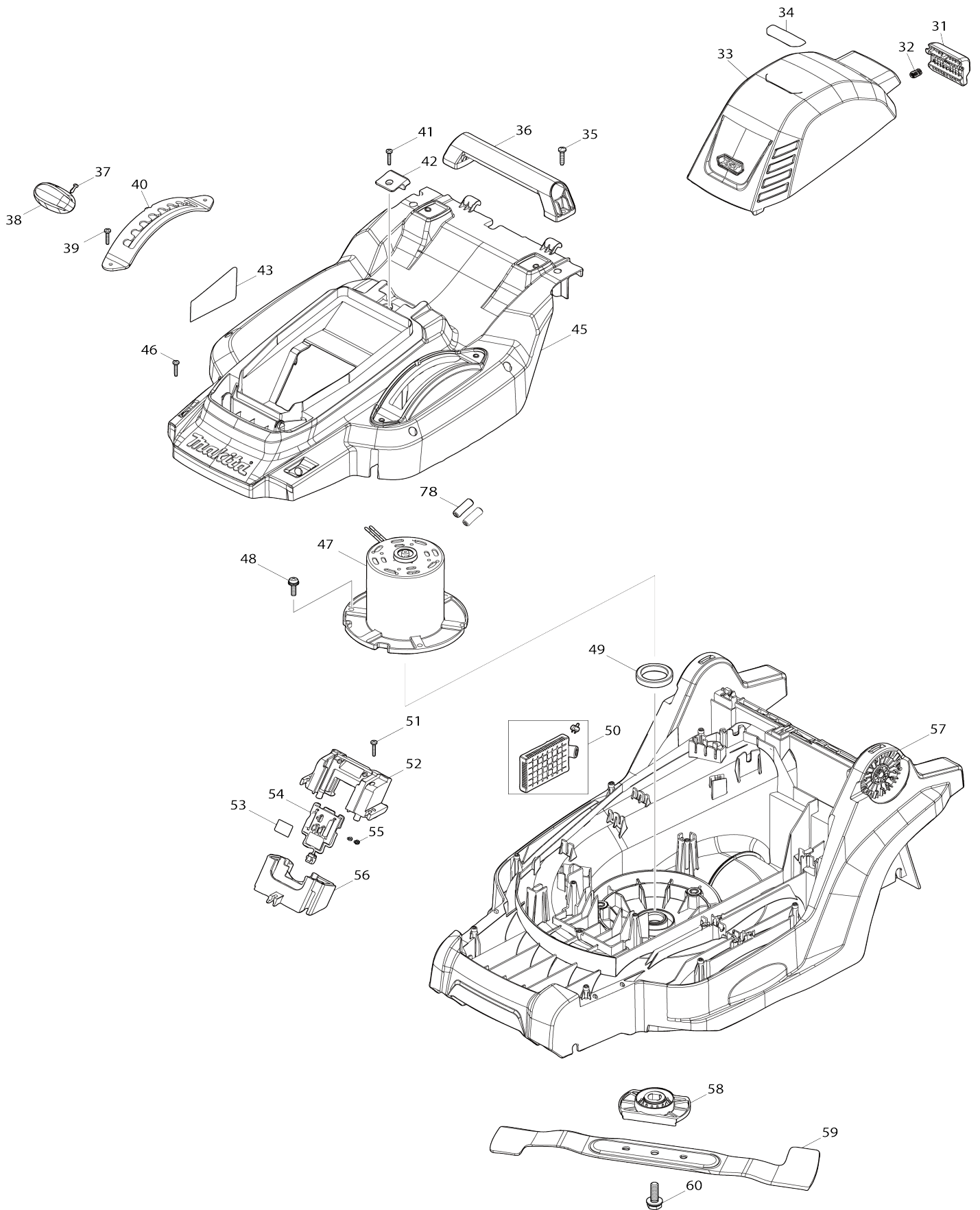


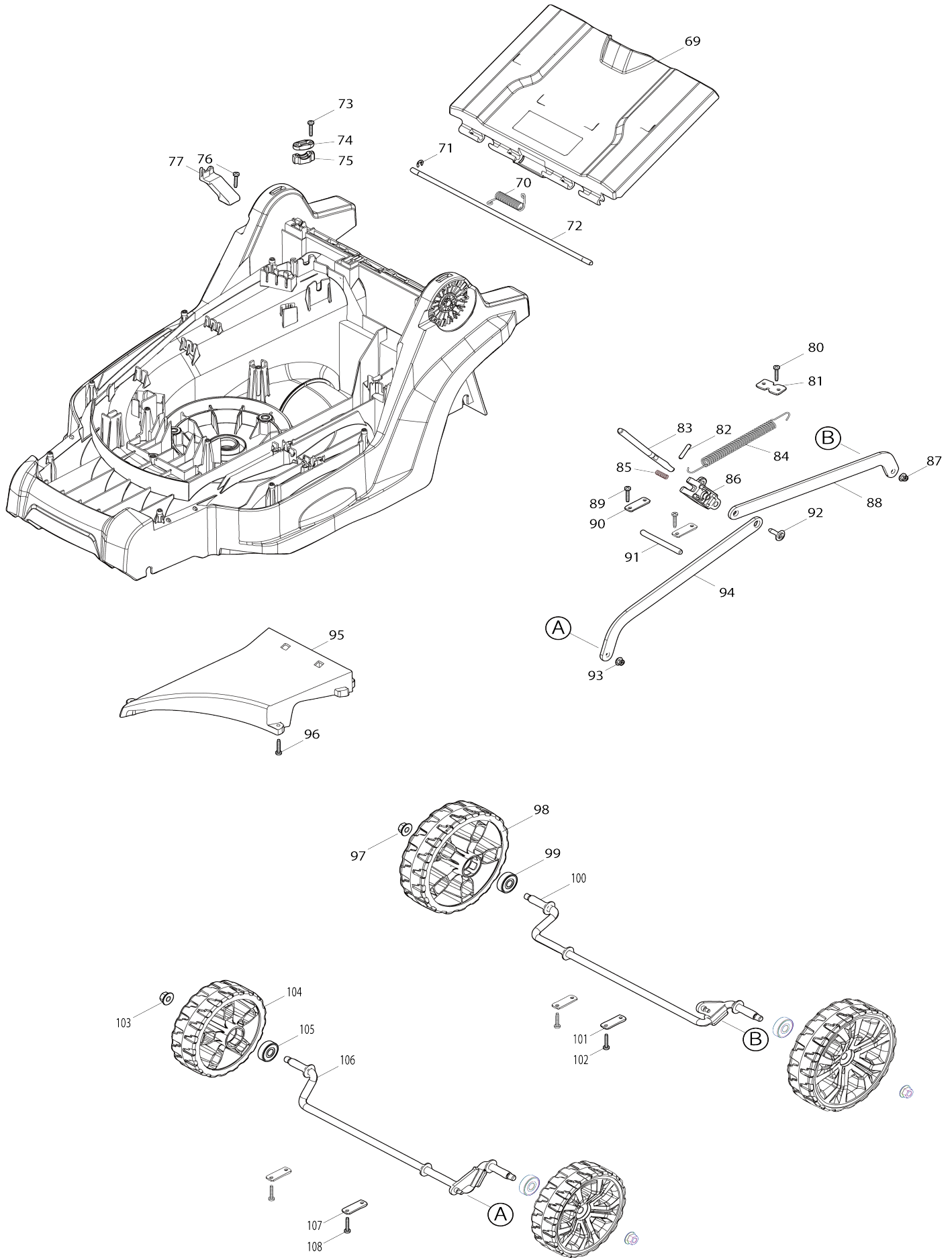
Model No.LM004G 430MM CORDLESS LAWN MOWER



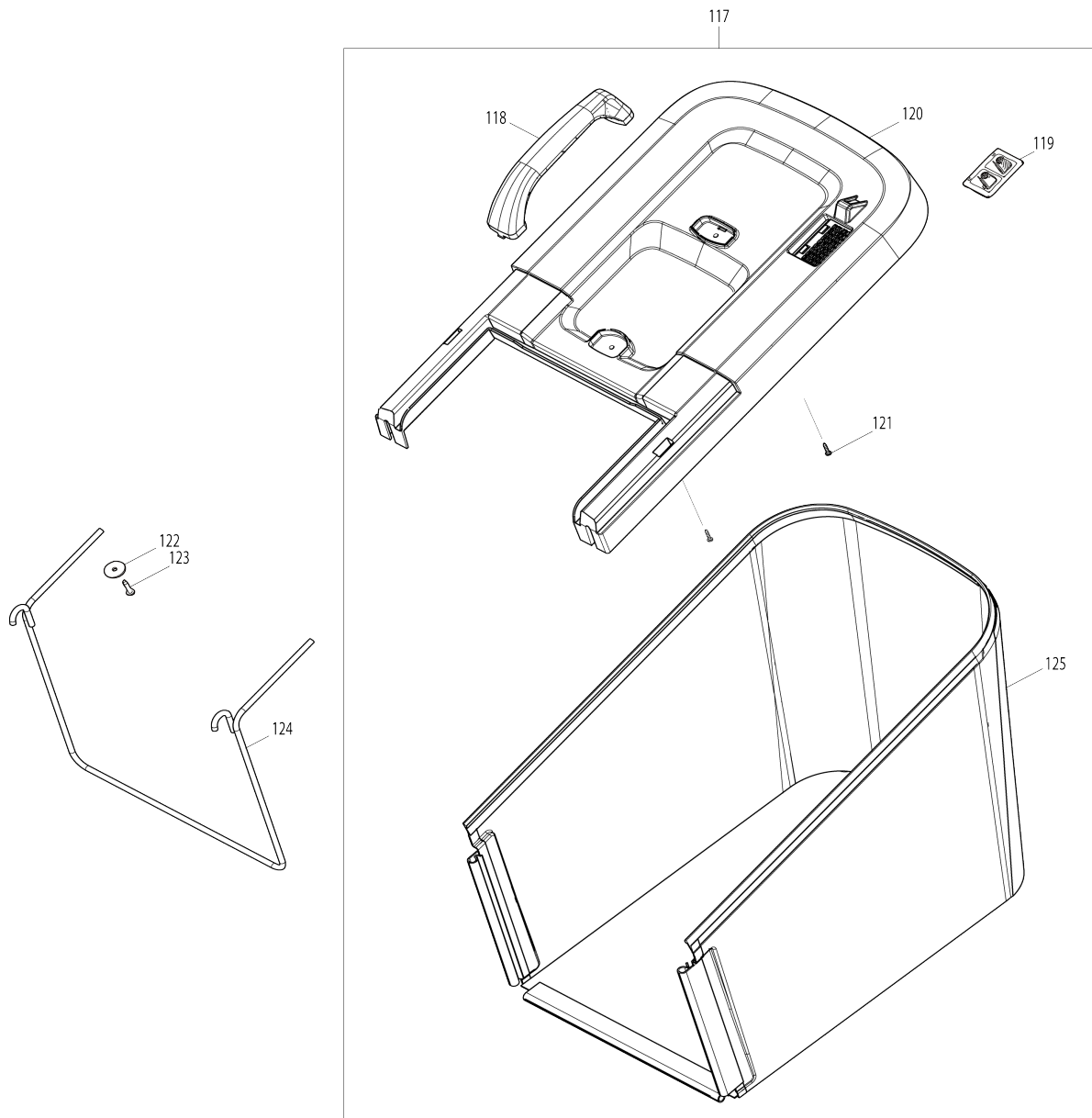
# Model No. LM004G 430MM CORDLESS LAWN MOWER



# Model No.LM004G 430MM CORDLESS LAWN MOWER



Model No.LM004G 430MM CORDLESS LAWN MOWER



Model No.LM004G 430MM CORDLESS LAWN MOWER

Item No.	Parts No.	Description	Interchangeability	Q'ty	New/Old	Note1	Note2
001	327C33-1	SWITCH LEVER		1			
002	232814-1	TENSION SPRING 7		1			
003	911138-5	P.H.SCREW M4X20 WITH WR		2			
004	455075-8	LEVER		1			
005	455078-2	ARM		1			
007	141T11-7	UPPER PIPE COMPLETE		1			
008	1830C3-1	SWITCH BOX SET		1			
C10	8053U7-4	INDICATION LABEL		1			
D10		INC. 14					
009	233068-3	COMPRESSION SPRING 6		1			
010	455074-0	SWITCH BUTTON		1			
011	650041-2	SWITCH TG772BDS-1		1			
012	687124-5	STRAIN RELIEF		1			
013	265999-8	TAPPING SCREW 4X25		2			
014	1830C3-1	SWITCH BOX SET		1			
C10	8053U7-4	INDICATION LABEL		1			
D10		INC. 8					
015	266424-2	TAPPING SCREW 4X20		4			
016	266326-2	TAPPING SCREW 4X18		1			
017	456352-1	SWITCH LEVER CASE COVER		1			
018	456351-3	SWITCH LEVER CASE		1			
019	327C35-7	LOWER PIPE		1			
020	265C08-1	FLAT HEAD BOLT M8X50		2			
021	265C06-5	THUMB NUT M8		2			
022	265B81-5	TAPPING SCREW FLANGE 3X6		4			
023	413T46-1	SUPPORT		2			
024	213877-6	O-RING 6		2			
025	327C36-5	LOCK PIN		2			
026	951119-7	SPRING PIN 4-24		2			
027	413T47-9	LEVER		2			
028	699231-2	POWER SUPPLY CORD UNI		1			
029	911163-6	PAN HEAD SCREW M4X35		1			
030	413944-9	CLAMP		1			
C10	931102-0	HEX. NUT M4		1			
031	413B03-1	LOCK LEVER		1			
032	231037-8	COMPRESSION SPRING 7		1			
033	141T10-9	BATTERY COVER COMPLETE		1			
034	8071M9-8	INDICATION LABEL		1			
035	266459-3	TAPPING SCREW 5X25		2			
036	273675-0	GRIP A		1			
037	266816-5	+ PAN HEAD SCREW M3X12 WITH WR		2			
038	413939-2	HEIGHT ADJUST LEVER GRIP		1			
039	266424-2	TAPPING SCREW 4X20		2			
040	162C76-4	HEIGHT ADJUST PLATE		1			
041	266424-2	TAPPING SCREW 4X20		1			
042	413T52-6	HOOK		1			
043	8142C5-5	LM004G NAME PLATE		1			

045	137035-9	COWLING ASS'Y		1		
046	266424-2	TAPPING SCREW 4X20		8		
047	629C42-9	DC MOTOR		1	*	
047-1	629C42-9	DC MOTOR	O	1		
048	265A53-4	+ PAN HEAD SCREW M6X22 WITH WR		3		
050	620M31-7	CONTROLLER		1		
051	266424-2	TAPPING SCREW 4X20		3		
052	1830A2-9	TERMINAL HOUSING SET		1		
C10	263005-3	RUBBER PIN 6		2		
D10		INC. 56				
053	8142D1-0	LM004G SERIAL NO. LABEL		1		
054	632T08-2	TERMINAL UNIT		1		
055	652031-1	PAN HEAD SCREW M3X6		2		
056	1830A2-9	TERMINAL HOUSING SET		1		
C10	263005-3	RUBBER PIN 6		2		
D10		INC. 52				
057	413T55-0	DECK		1		
058	413T45-3	BLADE SUPPORT		1		
059	1913H4-8	BLADE 430 SET		1		
060	265A69-9	HEX. BOLT M10X35 WITH WG		1	*	
060-1	265D72-8	HEX. BOLT M10X35 WG	<	1		
069	141T62-0	REAR FLAP COMPLETE		1		
C10	8054C4-0	CAUTION LABEL		1		
070	233597-6	TORSION SPRING 8		1		
071	961018-5	STOP RING E-5		1		
072	327C38-1	ROD 6		1		
073	266424-2	TAPPING SCREW 4X20		2		
074	687124-5	STRAIN RELIEF		1		
075	687051-6	STRAIN RELIEF		1		
076	266424-2	TAPPING SCREW 4X20		1		
077	413T62-3	LED HOLDER		1		
080	266424-2	TAPPING SCREW 4X20		2		
081	347870-9	HOOK PLATE		1		
082	951119-7	SPRING PIN 4-24		1		
083	327C32-3	HEIGHT ADJUST LEVER		1		
084	232815-9	TENSION SPRING 12		1		
085	232430-9	COMPRESSION SPRING 5		1		
086	413T51-8	ROD HOLDER		1		
087	252286-4	COLLARED HEX.LOCK NUT M5-8		1		
088	347B65-6	CONNECTING ROD R		1		
089	266424-2	TAPPING SCREW 4X20		4		
090	347869-4	PLATE		2		
091	256A45-4	ROD 7		1		
092	265C05-7	TAPPING SCREW FRANGE 5X20		1		
093	252286-4	COLLARED HEX.LOCK NUT M5-8		1		
094	347B64-8	CONNECTING ROD F		1		
095	413T58-4	UNDER COVER		1		
096	266424-2	TAPPING SCREW 4X20		4		
097	252145-2	COLLARED HEX NUT M8		2		
098	413U87-3	REAR WHEEL		2		
099	210070-3	BALL BEARING 6200ZZ		2		

100	162C78-0	REAR SHAFT		1		
101	347869-4	PLATE		2		
102	266424-2	TAPPING SCREW 4X20		4		
103	252145-2	COLLARED HEX NUT M8		2		
104	413U86-5	FRONT WHEEL		2		
105	210070-3	BALL BEARING 6200ZZ		2		
106	162C77-2	FRONT SHAFT		1		
107	347869-4	PLATE		2		
108	266424-2	TAPPING SCREW 4X20		4		
117	122F56-0	REAR BAG ASSEMBLY		1		
D10		118-121,125 w				
118	413T48-7	GRIP		1		
119	459806-7	INDICATOR M		1		
120	413T59-2	REAR BAG COVER		1		
121	266424-2	TAPPING SCREW 4X20		2		
122	267438-4	FLAT WASHER 5		2		
123	266424-2	TAPPING SCREW 4X20		2		
124	327C34-9	REAR BAG ROD		1		
125	162C79-8	REAR BAG		1		
A01	1913H8-0	MULCHING PLUG 430 SET		1		
A02	782210-8	SOCKET WRENCH 17		1		
A03	412393-7	BATTERY COVER		1		
A04	***DC40RC	DC40RC FAST CHARGER		1		
D10		COMPO-PARTS				
A05	191B26-6	BATTERY BL4040 SET		1		
A04	***DC40WB	DC40WB CHARGER		1		

Please state Parts No. when your order.

Print Date 05/24/2024