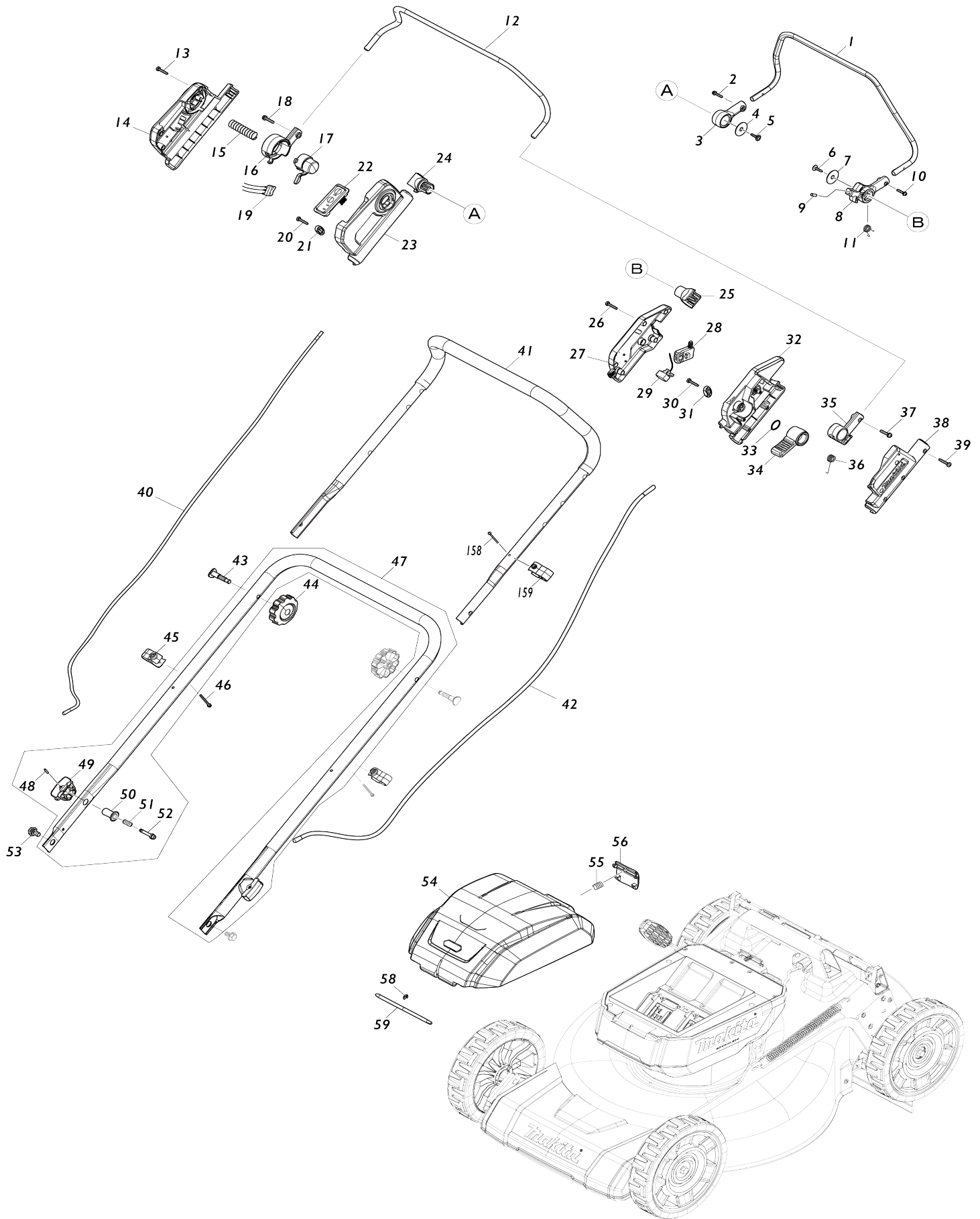
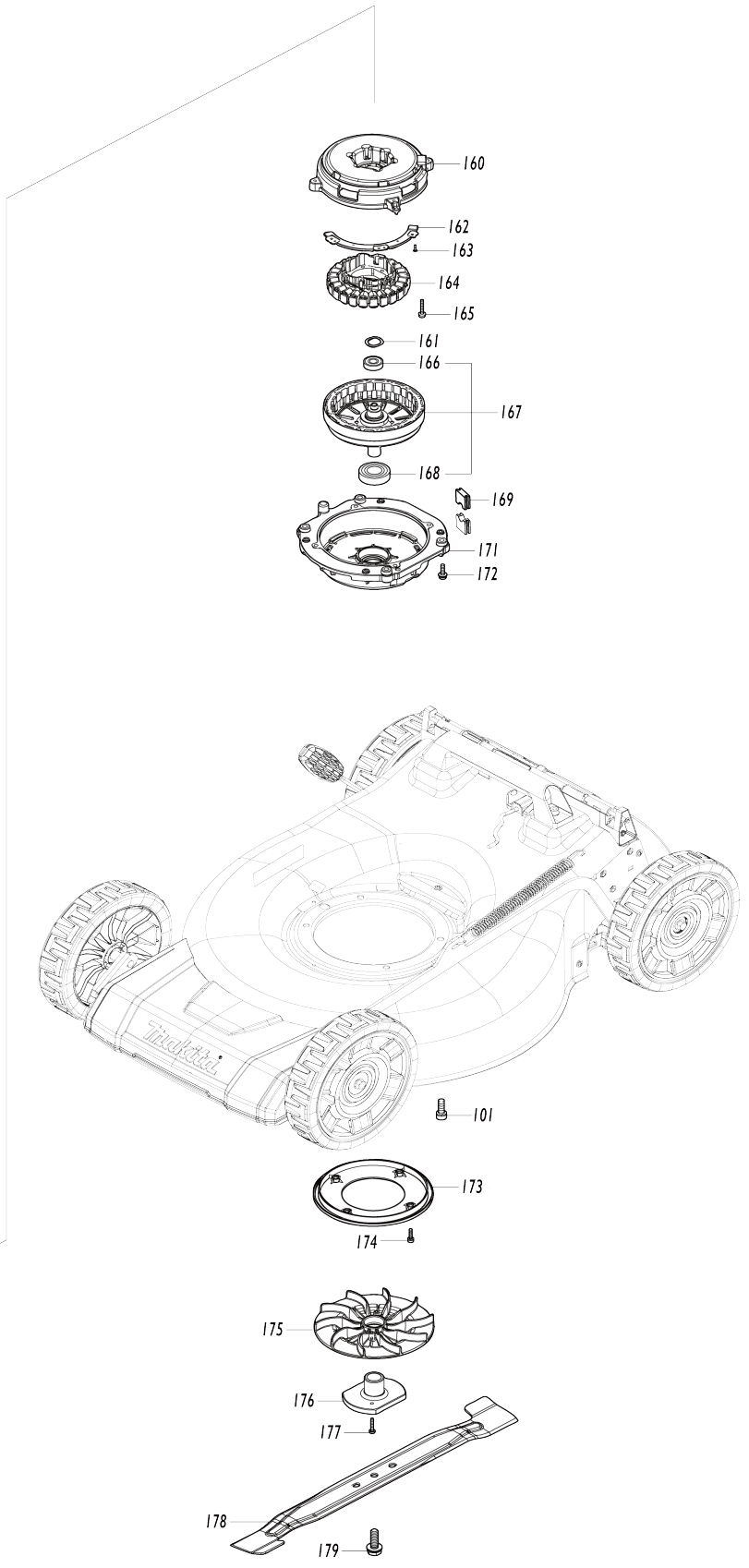
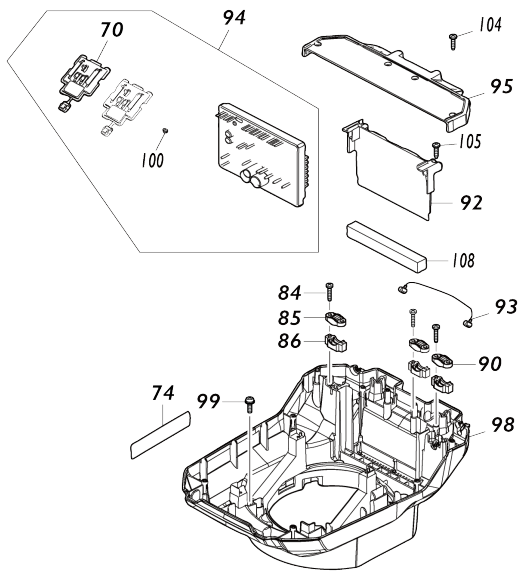
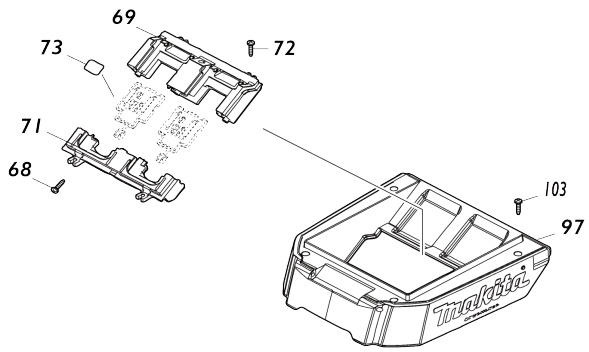


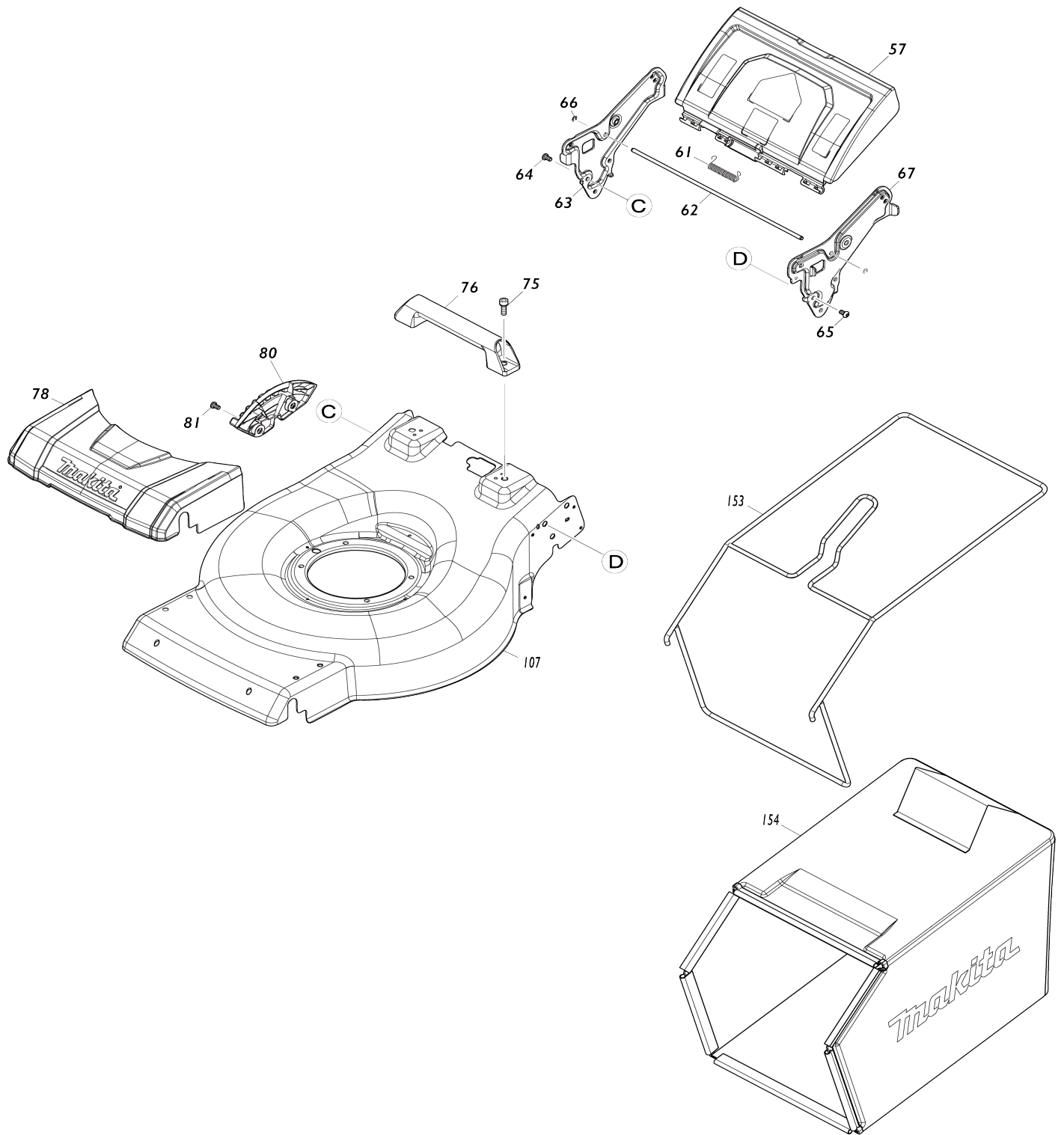
# Model No. LM002G 530MM CORDLESS LAWN MOWER



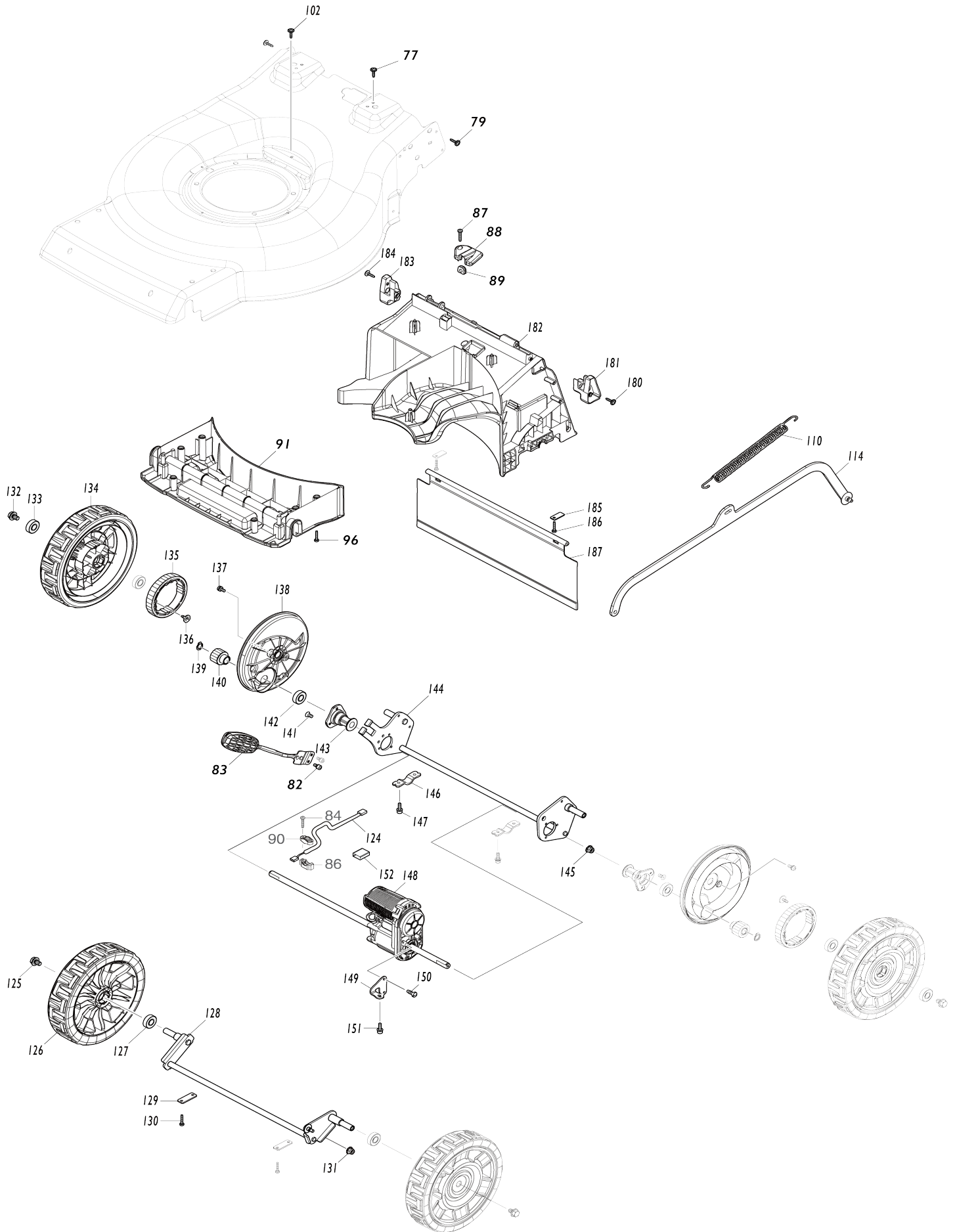
# Model No. LM002G 530MM CORDLESS LAWN MOWER



Model No. LM002G 530MM CORDLESS LAWN MOWER



# Model No. LM002G 530MM CORDLESS LAWN MOWER



Model No.LM002G 530MM CORDLESS LAWN MOWER

Item No.	Parts No.	Description	Interchangeability	Q'ty	New/Old	Note1	Note2
C10	181490-7	HAMMER GREASE 30G		2	*		
C11	1914C5-7	GREASE SET	O	2			
D10		INC. 1,2,5,7,22,26,27,29,31,					
001	327425-6	DRIVING LEVER		1			
002	911138-5	P.H.SCREW M4X20 WITH WR		1			
003	459858-8	DRIVING LEVER SUPPORT R		1			
C10	931102-0	HEX. NUT M4		1			
004	253814-8	FLAT WASHER 8		1			
005	265620-9	TAPPING SCREW FLANGE 4X18		1			
006	265620-9	TAPPING SCREW FLANGE 4X18		1			
007	253814-8	FLAT WASHER 8		1			
008	413B10-4	DRIVING LEVER SUPPORT L		1			
C10	931102-0	HEX. NUT M4		1			
009	268225-4	PIN 5		1			
010	911138-5	P.H.SCREW M4X20 WITH WR		1			
011	232566-4	TORSION SPRING 12		1			
012	327424-8	SWITCH LEVER		1			
013	266424-2	TAPPING SCREW 4X20		6			
014	183X93-7	SWITCH BOX SET		1			
C10	8044A1-9	INDICATION LABEL		1			
D10		INC. 23					
015	231227-3	COMPRESSION SPRING 15		1			
016	459856-2	SWITCH LEVER SUPPORT R		1			
C10	931102-0	HEX. NUT M4		1			
017	459857-0	LOCK OFF BUTTON		1			
018	911138-5	P.H.SCREW M4X20 WITH WR		1			
019	632T11-3	SWITCH UNIT		1			
020	266424-2	TAPPING SCREW 4X20		2			
021	687123-7	STRAIN RELIEF		1			
022	141M31-9	SWITCH CIRCUIT COMPLETE		1			
C10	539258-9	SWITCH PLATE ASS'Y		1			
C20	266490-9	TAPPING SCREW PT 2X6		3			
023	183X93-7	SWITCH BOX SET		1			
C10	8044A1-9	INDICATION LABEL		1			
D10		INC. 14					
024	413A98-8	DRIVING LEVER HOLDER		1			
025	413A98-8	DRIVING LEVER HOLDER		1			
026	266424-2	TAPPING SCREW 4X20		5			
027	183U35-3	LEVER BOX SET		1			
D10		INC. 38					
028	651083-9	SWITCH C3XA-1PSPM		1			
029	620J45-8	DIAL CIRCUIT		1			
030	266424-2	TAPPING SCREW 4X20		2			
031	687123-7	STRAIN RELIEF		1	*		
031-1	687124-5	STRAIN RELIEF	O	1			
032	413A95-4	LEVER BOX C		1			
033	213A12-2	O-RING 18		1			

034	413B01-5	SPEED LEVER		1		
035	459863-5	SWITCH LEVER SUPPORT L		1		
C10	931102-0	HEX. NUT M4		1		
036	232575-3	TORSION SPRING 12		1		
037	911138-5	P.H.SCREW M4X20 WITH WR		1		
038	183U35-3	LEVER BOX SET		1		
D10		INC. 27				
039	266424-2	TAPPING SCREW 4X20		5		
040	699215-0	POWER SUPPLY CORD UNIT		1		
041	327871-3	HANDLE UPPER		1		
042	699216-8	POWER SUPPLY CORD UNIT		1		
043	265C08-1	FLAT HEAD BOLT M8X50		2		
044	265C06-5	THUMB NUT M8		2		
045	413L52-8	CLAMP		2		
C10	931102-0	HEX. NUT M4		1		
046	911168-6	PAN HEAD SCREW M4X40		2		
047	122D38-0	HANDLE LOWER ASSEMBLY		1		
D10		INC. 48-52				
048	258004-8	SPRING PIN 2.5-16		2		
049	413943-1	KNOB		2		
050	327A66-4	LOCK HOLDER		2		
051	234121-8	COMPRESSION SPRING 8		2		
052	327A65-6	LOCK PIN		2		
053	265C07-3	HEX. BOLT M8		2		
054	136880-9	BATTERY COVER ASS'Y		1		
C10	8046H9-4	INDICATION LABEL		1		
C20	8032A7-2	XGT LOGO LABEL		1		
055	231037-8	COMPRESSION SPRING 7		1		
056	459852-0	LOCK LEVER		1		
057	141M22-0	REAR FLAP COMPLETE		1		
C10	8047H4-0	CAUTION LABEL		1		
058	961018-5	STOP RING E-5		1		
059	327536-7	ROD 6		1		
061	232721-8	TORSION SPRING 8		1		
062	327A64-8	ROD 6		1		
063	347A56-1	HANDLE BRACKET R		1		
064	265B20-5	HEX.SOCKET BUTTON HEAD BOL T M8		3		
065	265B20-5	HEX.SOCKET BUTTON HEAD BOL T M8		3		
066	961018-5	STOP RING E-5		2		
067	347A55-3	HANDLE BRACKET L		1		
068	266424-2	TAPPING SCREW 4X20		3		
069	183X12-3	TERMINAL HOUSING SET		1		
C10	263005-3	RUBBER PIN 6		4		
D10		INC. 71				
070	632T08-2	TERMINAL UNIT		2		
071	183X12-3	TERMINAL HOUSING SET		1		
C10	263005-3	RUBBER PIN 6		4		
D10		INC. 69				
072	266424-2	TAPPING SCREW 4X20		4		
073	8582C8-9	LM002G SERIAL NO. LABEL		1		

074	8582C2-1	LM002G NAME PLATE	1		
075	922441-9	HEX. SOCKET HEAD BOLT M8X25	2		
076	413L42-1	REAR GRIP	1		
077	265620-9	TAPPING SCREW FLANGE 4X18	2		
078	413L33-2	FRONT COVER	1		
079	265620-9	TAPPING SCREW FLANGE 4X18	7		
080	413L43-9	HEIGHT ADJUST PLATE	1		
081	265B20-5	HEX.SOCKET BUTTON HEAD BOLT M8	2		
082	922311-2	HEX. SOCKET HEAD BOLT M6X12	2		
083	162B98-8	HEIGHT ADJUST LEVER COMPLETE	1		
084	266424-2	TAPPING SCREW 4X20	6		
085	687123-7	STRAIN RELIEF	2		
086	687051-6	STRAIN RELIEF	3		
087	266424-2	TAPPING SCREW 4X20	1		
088	413L50-2	LEAD COVER	1		
089	422526-6	GROMMET	1		
090	687124-5	STRAIN RELIEF	1		
091	413L35-8	DECK UNDER COVER F	1		
092	413L30-8	INNER PLATE	1		
093	620J46-6	LED CIRCUIT	1		
094	539252-1	CONTROLLER ASS'Y	1		
D10		INC. 70, 100			
095	141M28-8	COWLING COVER COMPLETE	1		
096	266424-2	TAPPING SCREW 4X20	6		
097	413L22-7	COWLING UPPER	1		
098	413L21-9	COWLING LOWER	1		
099	911233-1	PAN HEAD SCREW M5X20	4		
100	652031-1	PAN HEAD SCREW M3X6	4		
101	922441-9	HEX. SOCKET HEAD BOLT M8X25	4		
102	265620-9	TAPPING SCREW FLANGE 4X18	1		
103	266424-2	TAPPING SCREW 4X20	4		
104	266424-2	TAPPING SCREW 4X20	4		
105	266424-2	TAPPING SCREW 4X20	2		
107	141S44-6	DECK COMPLETE	1		
108	422956-1	SPONGE	1		
110	232628-8	TENSION SPRING 16	1		
114	347A58-7	CONNECTING ROD	1		
124	699213-4	POWER SUPPLY CORD UNIT	1		
125	265324-3	HEX. FLANGE HEAD BOLT M8X12	2		
126	141M25-4	TIRE 230 COMPLETE	2		
127	210163-6	BALL BEARING 6001DDW	2		
128	162C00-7	FRONT SHAFT	1		
129	347869-4	PLATE	2		
130	266424-2	TAPPING SCREW 4X20	4		
131	252301-4	HEX. FLANGE LOCK NUT M6-10	1		
132	265324-3	HEX. FLANGE HEAD BOLT M8X12	2		
133	210163-6	BALL BEARING 6001DDW	4		
134	141M26-2	TIRE 230 COMPLETE	2		
135	227913-2	SPUR GEAR 49	2		
136	265B00-1	TAPPING SCREW FLANGE 4X12	4		

137	911213-7	PAN HEAD SCREW M5X12		4		
138	413L40-5	WHEEL CAP		2		
139	961052-5	RETAINING RING (EXT) S-12		2		
140	227A00-3	SPUR GEAR 12		2		
141	251951-2	HEX. SOCKET C.S.H. SCREW M5X10		6		
142	210163-6	BALL BEARING 6001DDW		2		
143	313390-5	REAR SHAFT HOLDER		2		
144	162C02-3	REAR SHAFT		1		
145	252301-4	HEX. FLANGE LOCK NUT M6-10		1		
146	347865-2	CLAMP 19		2		
147	922223-9	H.S.H.BOLT M5X16 WITH WR		4		
148	122E54-8	DRIVE UNIT		1		
149	347A59-5	BRACKET		1		
150	266388-0	TAPPING SCREW 5X16		2		
151	922223-9	H.S.H.BOLT M5X16 WITH WR		1		
152	683A20-1	POLYOLEFIN TUBE		1		
153	162C45-5	GRASS CATCHER BRACKET		1		
154	162C13-8	GRASS CATCHER		1		
158	911163-6	PAN HEAD SCREW M4X35		1		
159	413944-9	CLAMP		1		
C10	931102-0	HEX. NUT M4		1		
160	141M30-1	STATOR BASE COMPLETE		1		
161	253455-0	WAVE WASHER 19		1		
162	620J44-0	CONTROLLER B		1		
163	265C89-5	FLAT HEAD SCREW M3X10		3		
164	629B84-7	STATOR		1		
165	911148-2	PAN HEAD SCREW M4X25		6		
166	210059-1	BALL BEARING 6000DDW		1		
167	519785-2	ROTOR ASSY		1		
D10		INC. 166,168				
168	211332-2	BALL BEARING 6004LLU		1		
169	422955-3	GROMMET		2		
171	312D43-7	BRACKET		1		
172	911233-1	PAN HEAD SCREW M5X20		4		
173	413L53-6	BAFFLE PLATE		1		
174	911126-2	PAN HEAD SCREW M4X16		4		
175	240205-2	FAN 170		1		
176	312D48-7	BLADE SUPPORT 530		1		
177	266424-2	TAPPING SCREW 4X20		2		
178	191V96-5	BLADE 530 SET		1		
179	265A69-9	HEX. BOLT M10X35 WITH WG		1	*	
179-1	265D72-8	HEX. BOLT M10X35 WG	<	1		
180	265620-9	TAPPING SCREW FLANGE 4X18		1		
181	183X16-5	GRASS GUARD SET		1		
D10		INC. 183				
182	413L37-4	DECK UNDER COVER R		1		
C10	252329-2	SQUARE NUT M5		5		
183	183X16-5	GRASS GUARD SET		1		
D10		INC. 181				
184	265620-9	TAPPING SCREW FLANGE 4X18		1		
A01	327589-6	ROD 6		1		



A02	413L55-2	MULCHING PLUG 530		1		
A03	413L57-8	DISCHARGE CHUTE		1		
A04	782210-8	SOCKET WRENCH 17		1		
A05	412393-7	BATTERY COVER		2		
A06	***DC40RC	DC40RC FAST CHARGER		1		
D10		COMPO-PARTS				
A07	191L47-8	BATTERY BL4050F SET		2		

Please state Parts No. when your order.

Print Date 06/10/2024