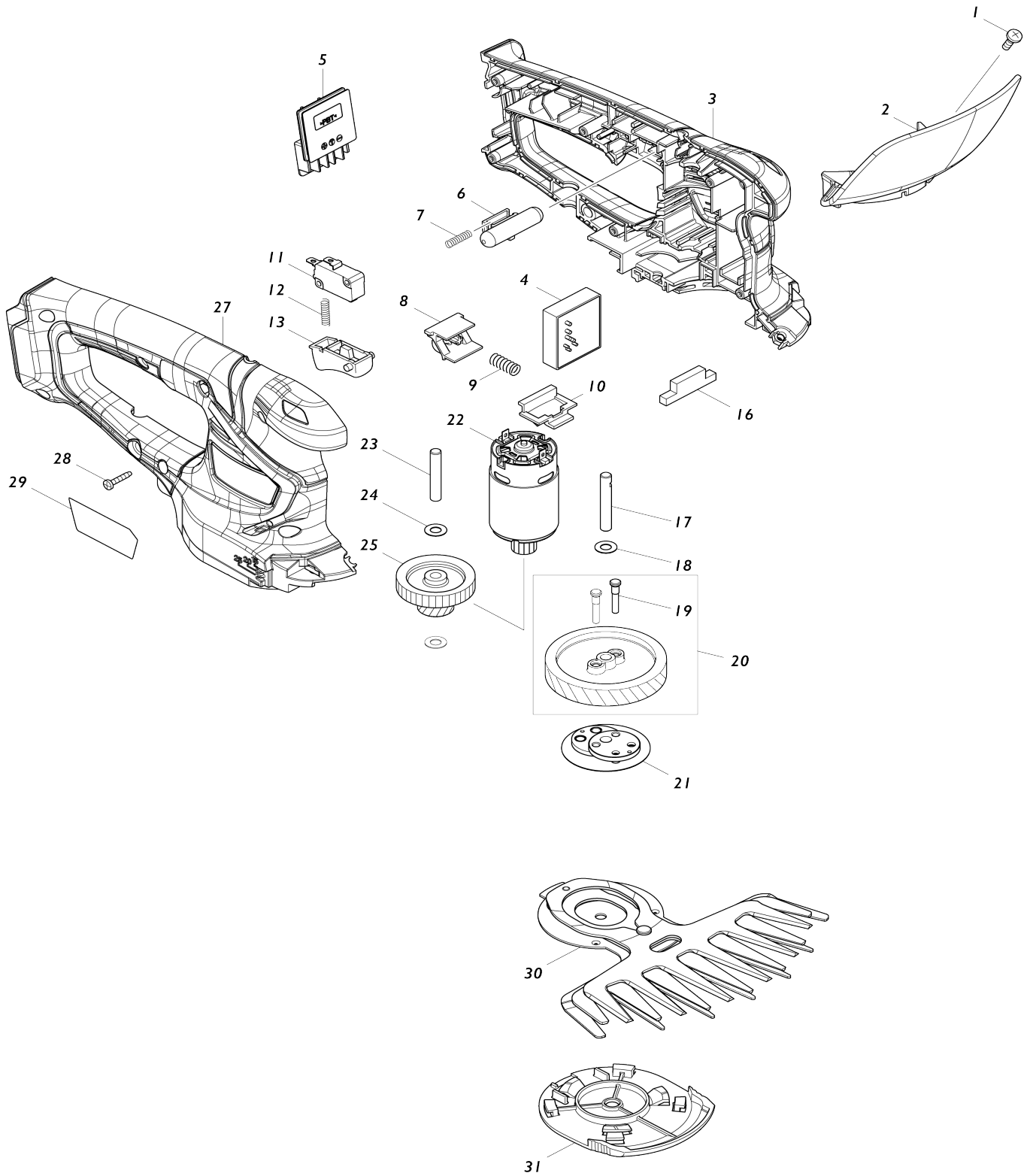


# Model No.UM600D 160MM CORDLESS GRASS SHEAR



Model No.UM600D 160MM CORDLESS GRASS SHEAR

| Item No. | Parts No. | Description                    | Interchangability | Q'ty | New/Old | Note1 | Note2 |
|----------|-----------|--------------------------------|-------------------|------|---------|-------|-------|
| F13      | 191W05-0  | 115/125MM DUST COVER SET       |                   | 1    |         |       |       |
| C10      | 743129-6  | BRUSH A                        |                   | 1    |         |       |       |
| C20      | 743130-1  | BRUSH B                        |                   | 1    |         |       |       |
| A04      | 412393-7  | BATTERY COVER                  |                   | 2    |         |       |       |
| A05      | ***DC40RA | DC40RA FAST CHARGER            |                   | 1    |         |       |       |
| D10      |           | COMPO-PARTS                    |                   |      |         |       |       |
| A06      | 191B26-6  | BATTERY BL4040 SET             |                   | 2    |         |       |       |
| A07      | 821552-6  | CONNECTOR PLASTIC CASE (TYPE4) |                   | 1    |         |       |       |
| C10      | 453974-8  | LATCH                          |                   | 4    |         |       |       |
| A10      | 835E79-0  | INNER TRAY                     |                   | 1    |         |       |       |
| F13      | 191W05-0  | 115/125MM DUST COVER SET       |                   | 1    |         |       |       |
| C10      | 743129-6  | BRUSH A                        |                   | 1    |         |       |       |
| C20      | 743130-1  | BRUSH B                        |                   | 1    |         |       |       |
| F19      | 1910Y0-7  | WHEEL COVER 125C SET           |                   | 1    |         |       |       |
| A04      | 412393-7  | BATTERY COVER                  |                   | 2    |         |       |       |
| A05      | ***DC40RA | DC40RA FAST CHARGER            |                   | 1    |         |       |       |
| D10      |           | COMPO-PARTS                    |                   |      |         |       |       |
| A06      | 191B26-6  | BATTERY BL4040 SET             |                   | 2    |         |       |       |
| A07      | 821552-6  | CONNECTOR PLASTIC CASE (TYPE4) |                   | 1    |         |       |       |
| C10      | 453974-8  | LATCH                          |                   | 4    |         |       |       |
| A10      | 835E79-0  | INNER TRAY                     |                   | 1    |         |       |       |
| F13      | 191W05-0  | 115/125MM DUST COVER SET       |                   | 1    |         |       |       |
| C10      | 743129-6  | BRUSH A                        |                   | 1    |         |       |       |
| C20      | 743130-1  | BRUSH B                        |                   | 1    |         |       |       |
| C10      | 263002-9  | RUBBER PIN 4                   |                   | 1    |         |       |       |
| C16      | 252323-4  | CIRCULAR NUT M15-23            | <                 | 1    |         |       |       |
| C20      | 232163-6  | CUP SPRING 20                  |                   | 2    |         |       |       |
| C25      | 267798-4  | LOCK WASHER                    |                   | 2    |         |       |       |
| C30      | 227998-8  | SPIRAL BEVEL GEAR 53           |                   | 1    |         |       |       |
| C35      | 265120-9  | PAN HEAD SCREW M5X16           |                   | 3    |         |       |       |
| C40      | 285741-1  | BEARING RETAINER 50            |                   | 1    |         |       |       |
| C45      | 267167-9  | FLAT WASHER 15                 |                   | 1    |         |       |       |
| C50      | 211278-2  | BALL BEARING 6203DDW           |                   | 1    |         |       |       |
| C55      | 312D39-8  | BEARING BOX                    |                   | 1    |         |       |       |
| C60      | 141D62-4  | SPINDLE COMPLETE               |                   | 1    |         |       |       |
| 015      | 265541-5  | HEX. SOCKET HEAD BOLT M6X22    |                   | 4    |         |       |       |
| 017      | 122889-7  | WHEEL COVER 180K ASSEMBLY      |                   | 1    |         |       |       |
| C10      | 213017-6  | O RING 6                       |                   | 1    |         |       |       |
| C20      | 265198-2  | +PAN HEAD SCREW M8X25          |                   | 1    |         |       |       |
| 017-1    | 141P30-9  | WHEEL COVER 180K COMPLETE      | <                 | 1    |         |       |       |
| C10      | 213017-6  | O RING 6                       |                   | 1    |         |       |       |
| C20      | 265198-2  | +PAN HEAD SCREW M8X25          |                   | 1    |         |       |       |
| C30      | 8050A1-8  | CAUTION LABEL                  |                   | 1    |         |       |       |
| 019      | 224485-8  | LOCK NUT 14-45                 |                   | 1    |         |       |       |
| 020      | 456238-9  | DIFFUSER                       |                   | 1    |         |       |       |
| 021      | 252194-9  | HEX. NUT M8                    |                   | 1    |         |       |       |

|       |           |                            |   |   |   |  |
|-------|-----------|----------------------------|---|---|---|--|
| 022   | 227954-8  | SPIRAL BEVEL GEAR 15       |   | 1 |   |  |
| 023   | 211132-0  | BALL BEARING 6301DDW       |   | 1 |   |  |
| 024   | 262085-6  | RUBBER RING 38             |   | 1 |   |  |
| 025   | 267299-2  | FLAT WASHER 20             |   | 1 |   |  |
| 026   | 962211-4  | RETAINING RING R-42        |   | 1 |   |  |
| 027   | 511A29-2  | ARMATURE ASS'Y 240V        |   | 1 |   |  |
| C10   | 240161-6  | FAN 86                     |   | 1 |   |  |
| D10   |           | INC. 28,29                 |   |   |   |  |
| 028   | 681630-2  | INSULATION WASHER          |   | 1 |   |  |
| 029   | 211087-9  | BALL BEARING 6200DDW       |   | 1 |   |  |
| 030   | 456239-7  | BAFFLE PLATE               |   | 1 |   |  |
| 032   | 266038-7  | TAPPING SCREW 5X70         |   | 2 |   |  |
| 034   | 456246-0  | BRUSH HOLDER COVER R       |   | 1 |   |  |
| 035   | 266385-6  | TAPPING SCREW 4X14         |   | 1 |   |  |
| 036   | 191T31-1  | CARBON BRUSH SET CB-224    |   | 1 |   |  |
| 037   | 643715-2  | BRUSH HOLDER               |   | 2 |   |  |
| 038   | 266385-6  | TAPPING SCREW 4X14         |   | 1 |   |  |
| 043   | 456245-2  | BRUSH HOLDER COVER L       |   | 1 |   |  |
| 046   | 266385-6  | TAPPING SCREW 4X14         |   | 1 |   |  |
| D10   |           | INC. 52                    |   |   |   |  |
| 049   | 266385-6  | TAPPING SCREW 4X14         |   | 1 |   |  |
| 050   | 687169-3  | STRAIN RELIEF              |   | 1 |   |  |
| 051   | 632F79-5  | SWITCH UNIT                |   | 1 |   |  |
| D10   |           | INC. 47                    |   |   |   |  |
| 053   | 682573-1  | CORD GUARD 10              |   | 1 |   |  |
| 057   | 8038D3-7  | CLEAR LABEL                |   | 1 | * |  |
| A02   | 782034-2  | LOCK NUT WRENCH 35         |   | 1 |   |  |
| A10   | 122914-4  | WHEEL COVER 180CK ASSEMBLY |   | 1 |   |  |
| C10   | 213017-6  | O RING 6                   |   | 1 |   |  |
| C20   | 265198-2  | +PAN HEAD SCREW M8X25      |   | 1 |   |  |
| 018   | 265995-6  | TAPPING SCREW 4X18         |   | 2 |   |  |
| 019   | 638000-6  | SUPPORT COMPLETE           |   | 1 |   |  |
| 020   | 634363-8  | FIELD 220-240V             |   | 1 |   |  |
| C10   | 240034-3  | FAN 70                     |   | 1 |   |  |
| 070   | 259037-6  | SELF LOCK 16               |   | 1 |   |  |
| 081   | 315931-3  | STOPPER                    |   | 1 |   |  |
| A01   | 122609-9  | NOZZLE ASS'Y               |   | 1 |   |  |
| A02   | 164834-6  | STRAIGHT GUIDE             |   | 1 |   |  |
| A03   | 122615-4  | DUST NOZZLE ASS'Y          |   | 1 |   |  |
| A04   | 344904-9  | TEMPLET GUIDE 12           |   | 1 |   |  |
| A05   | 781008-0  | WRENCH 17                  |   | 1 |   |  |
| F01   | 199140-0  | GUIDE RAIL 1000 SET        |   | 1 |   |  |
| F02   | 199141-8  | GUIDE RAIL 1500 SET        |   | 1 |   |  |
| F03   | 194368-5  | GUIDE RAIL 1400 SET        |   | 1 |   |  |
| F04   | 194925-9  | GUIDE RAIL 1900 SET        |   | 1 |   |  |
| F05   | 194367-7  | GUIDE RAIL 3000 SET        |   | 1 |   |  |
| F06   | 194416-0  | SHEET 10000 SET            |   | 1 |   |  |
| F07   | 194417-8  | RUBBER SHEET 10000 SET     |   | 1 |   |  |
| F08   | 194418-6  | POSITION SHEET 1400 SET    |   | 1 |   |  |
| F09   | 194910-2  | POSITION SHEET 1900 SET    |   | 1 |   |  |
| A05   | ***DC10WC | DC10WC BATTERY CHARGER     |   | 1 | * |  |
| A05-1 | ***DC10WD | DC10WD BATTERY CHARGER     | < | 1 |   |  |

|       |          |                          |   |   |   |  |
|-------|----------|--------------------------|---|---|---|--|
| D10   |          | COMPO-PARTS              |   |   |   |  |
| A06   | 197394-3 | BATTERY BL1020B SET      |   | 2 | * |  |
| A06-1 | 197396-9 | BATTERY BL1021B SET      | < | 2 | * |  |
| A06-2 | 197396-9 | BATTERY BL1021B SET      | O | 2 |   |  |
| F40   | 347C56-3 | HOOK                     |   | 1 |   |  |
| C40   | 345205-8 | BRANCH CATCHER           |   | 1 |   |  |
| C50   | 911208-0 | PAN HEAD SCREW M5X10     |   | 1 |   |  |
| C30   | 265181-9 | +TRUSS HEAD SCREW M5X20  |   | 7 |   |  |
| C40   | 345205-8 | BRANCH CATCHER           |   | 1 |   |  |
| C50   | 911208-0 | PAN HEAD SCREW M5X10     |   | 1 |   |  |
| 001   | 915116-7 | BINDING HEAD SCREW M4X12 |   | 1 |   |  |
| 002   | 144342-3 | PROTECTOR COMPLETE       |   | 1 | * |  |
| C10   | 819948-3 | CAUTION LABEL            |   | 1 | * |  |
| 002-1 | 140V97-0 | PROTECTOR COMPLETE       | < | 1 | * |  |
| C10   | 819948-3 | CAUTION LABEL            |   | 1 | * |  |
| 002-2 | 1410D3-4 | PROTECTOR COMPLETE       | O | 1 |   |  |
| C12   | 8072W3-6 | CAUTION LABEL            | O | 1 |   |  |
| 003   | 183G04-0 | HOUSING SET              |   | 1 | * |  |
| C10   | 931102-0 | HEX. NUT M4              |   | 1 | * |  |
| C20   | 263002-9 | RUBBER PIN 4             |   | 2 | * |  |
| C30   | 346275-0 | PLATE                    |   | 2 | * |  |
| D10   |          | INC. 27                  |   |   |   |  |
| 003-1 | 183U51-5 | HOUSING SET              | S | 1 |   |  |
| C10   | 931102-0 | HEX. NUT M4              |   | 1 |   |  |
| C20   | 263002-9 | RUBBER PIN 4             |   | 2 |   |  |
| C30   | 346275-0 | PLATE                    |   | 2 |   |  |
| D10   |          | INC. 27                  |   |   |   |  |
| 004   | 632K10-1 | CONTROLLER UNIT          |   | 1 | * |  |
| 004-1 | 632R77-1 | CONTROLLER UNIT          | < | 1 |   |  |
| C20   | 654086-2 | RECEPTACLE               |   | 2 |   |  |
| 005   | 644813-5 | TERMINAL                 |   | 1 |   |  |
| 006   | 452438-9 | LOCK OFF BUTTON          |   | 1 | * |  |
| 006-1 | 413A16-6 | LOCK OFF BUTTON          | S | 1 |   |  |
| 007   | 231473-8 | COMPRESSION SPRING 4     |   | 1 |   |  |
| 008   | 457534-8 | SLIDE PLATE              |   | 1 |   |  |
| 009   | 234339-1 | COMPRESSION SPRING 6     |   | 1 |   |  |
| 010   | 454879-5 | LOCK LEVER               |   | 1 |   |  |
| 011   | 650744-8 | SWITCH D3V-16-3C26       |   | 1 |   |  |
| 012   | 231473-8 | COMPRESSION SPRING 4     |   | 1 |   |  |
| 013   | 417564-1 | SWITCH LEVER             |   | 1 |   |  |
| 016   | 451814-4 | DUST GUARD               |   | 1 |   |  |
| 017   | 268254-7 | PIN 6                    |   | 1 |   |  |
| 018   | 253715-0 | FLAT WASHER 6            |   | 1 |   |  |
| 019   | 268256-3 | PIN 4                    |   | 2 |   |  |
| 020   | 135883-0 | HELICAL GEAR 47 ASS'Y    |   | 1 |   |  |
| D10   |          | INC. 19                  |   |   |   |  |
| 021   | 161598-3 | CRANK COMPLETE           |   | 1 |   |  |
| 022   | 629258-8 | DC MOTOR                 |   | 1 |   |  |
| 023   | 268076-5 | PIN 6                    |   | 1 |   |  |
| 024   | 253715-0 | FLAT WASHER 6            |   | 2 |   |  |
| 025   | 226831-1 | GEAR 12-31               |   | 1 |   |  |

|       |           |                                    |   |   |   |  |  |
|-------|-----------|------------------------------------|---|---|---|--|--|
| 027   | 183G04-0  | HOUSING SET                        |   | 1 | * |  |  |
| C10   | 931102-0  | HEX. NUT M4                        |   | 1 | * |  |  |
| C20   | 263002-9  | RUBBER PIN 4                       |   | 2 | * |  |  |
| C30   | 346275-0  | PLATE                              |   | 2 | * |  |  |
| D10   |           | INC. 3                             |   |   |   |  |  |
| 027-1 | 183U51-5  | HOUSING SET                        | S | 1 |   |  |  |
| C10   | 931102-0  | HEX. NUT M4                        |   | 1 |   |  |  |
| C20   | 263002-9  | RUBBER PIN 4                       |   | 2 |   |  |  |
| C30   | 346275-0  | PLATE                              |   | 2 |   |  |  |
| D10   |           | INC. 3                             |   |   |   |  |  |
| 028   | 266429-2  | TAPPING SCREW 3X16                 |   | 6 |   |  |  |
| 029   | 852Y86-8  | UM600D NAME PLATE                  |   | 1 |   |  |  |
| 030   | 195176-7  | SHEAR BLADE ASSEMBLY SET           |   | 1 | * |  |  |
| C10   | 188369-3  | OIL VESSEL SET                     |   | 1 | * |  |  |
| 030-1 | 195267-4  | SHEAR BLADE ASSEMBLY SET           | < | 1 | * |  |  |
| C10   | 188369-3  | OIL VESSEL SET                     |   | 1 | * |  |  |
| 030-2 | 195267-4  | SHEAR BLADE ASSEMBLY SET           | O | 1 |   |  |  |
| C10   | 188369-3  | OIL VESSEL SET                     |   | 1 |   |  |  |
| 031   | 140451-6  | UNDER COVER COMPLETE               |   | 1 |   |  |  |
| A01   | 452055-5  | BLADE COVER                        |   | 1 |   |  |  |
| A02   | 457426-1  | GRASS RECEIVER 160                 |   | 1 |   |  |  |
| A03   | 198409-9  | SHEAR BLADE ASSEMBLY 200 S S<br>ET |   | 1 | * |  |  |
| C10   | 188369-3  | OIL VESSEL SET                     |   | 1 | * |  |  |
| A03-1 | 198408-1  | SHEAR BLADE ASSEMBLY 200 S S<br>ET | O | 1 |   |  |  |
| C10   | 188369-3  | OIL VESSEL SET                     |   | 1 |   |  |  |
| A04   | 198402-3  | CHIP RECEIVER SET                  |   | 1 | * |  |  |
| A04-1 | 198401-5  | CHIP RECEIVER SET                  | O | 1 |   |  |  |
| A05   | 195274-7  | BLADE COVER SET                    |   | 1 |   |  |  |
| C10   | 452198-3  | STORAGE CASE                       |   | 1 |   |  |  |
| A06   | 456128-6  | BATTERY COVER                      |   | 1 |   |  |  |
| A07   | ***DC10SB | DC10SB BATTERY CHARGER             |   | 1 |   |  |  |
| A08   | 197406-2  | BATTERY BL1041B SET                |   | 1 | * |  |  |
| A08-1 | 197406-2  | BATTERY BL1041B SET                | O | 1 |   |  |  |
| B01   | 198412-0  | GRASS RECEIVER 160 SET             |   | 1 |   |  |  |
| D10   |           | INC. A01,A02,A05C10                |   |   |   |  |  |
| F02-1 | 195267-4  | SHEAR BLADE ASSEMBLY SET           | O | 1 |   |  |  |
| F07   | 198401-5  | CHIP RECEIVER SET                  |   | 1 |   |  |  |
| F09   | 198408-1  | SHEAR BLADE ASSEMBLY 200 S S<br>ET |   | 1 |   |  |  |
| F15   | 198968-3  | BATTERY BL1016 SET                 |   | 1 | * |  |  |
| F16   | 198969-1  | BATTERY BL1016 SET (2PIECES)       |   | 1 | * |  |  |
| F17-1 | 198970-6  | BATTERY BL1021B SET (2PIECES)      | O | 1 | * |  |  |
| F18-1 | 199002-2  | BATTERY BL1041B SET (2PIECES)      | O | 1 | * |  |  |
| 030   | 195267-4  | SHEAR BLADE ASSEMBLY SET           |   | 1 | * |  |  |
| 030-1 | 195176-7  | SHEAR BLADE ASSEMBLY SET           | < | 1 | * |  |  |
| 030-3 | 195267-4  | SHEAR BLADE ASSEMBLY SET           | O | 1 |   |  |  |
| C10   | 188369-3  | OIL VESSEL SET                     |   | 1 |   |  |  |
| A05-1 | 195274-7  | BLADE COVER SET                    | O | 1 |   |  |  |
| C10   | 452198-3  | STORAGE CASE                       |   | 1 |   |  |  |

Please state Parts No. when your order.

Print Date 05/13/2024