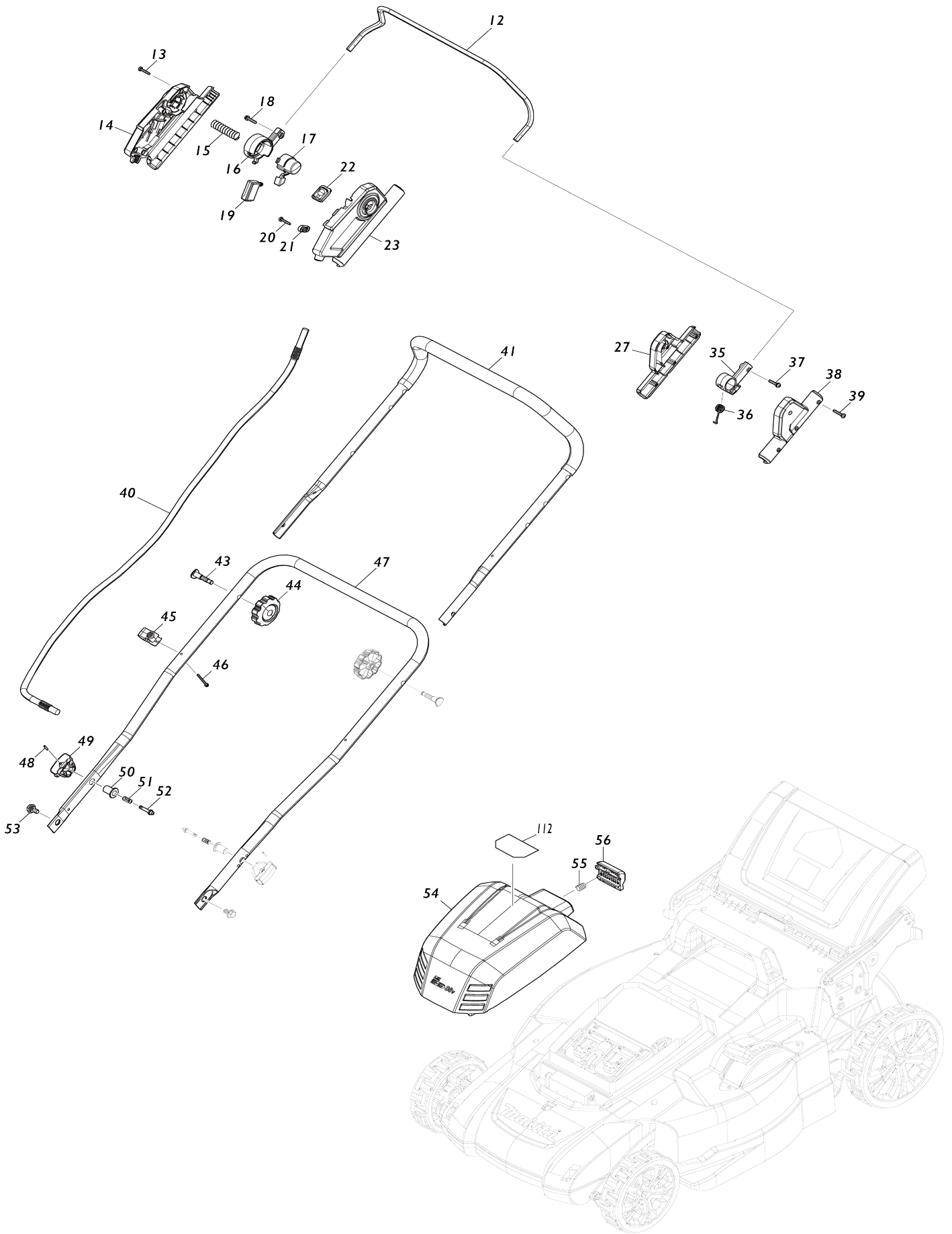
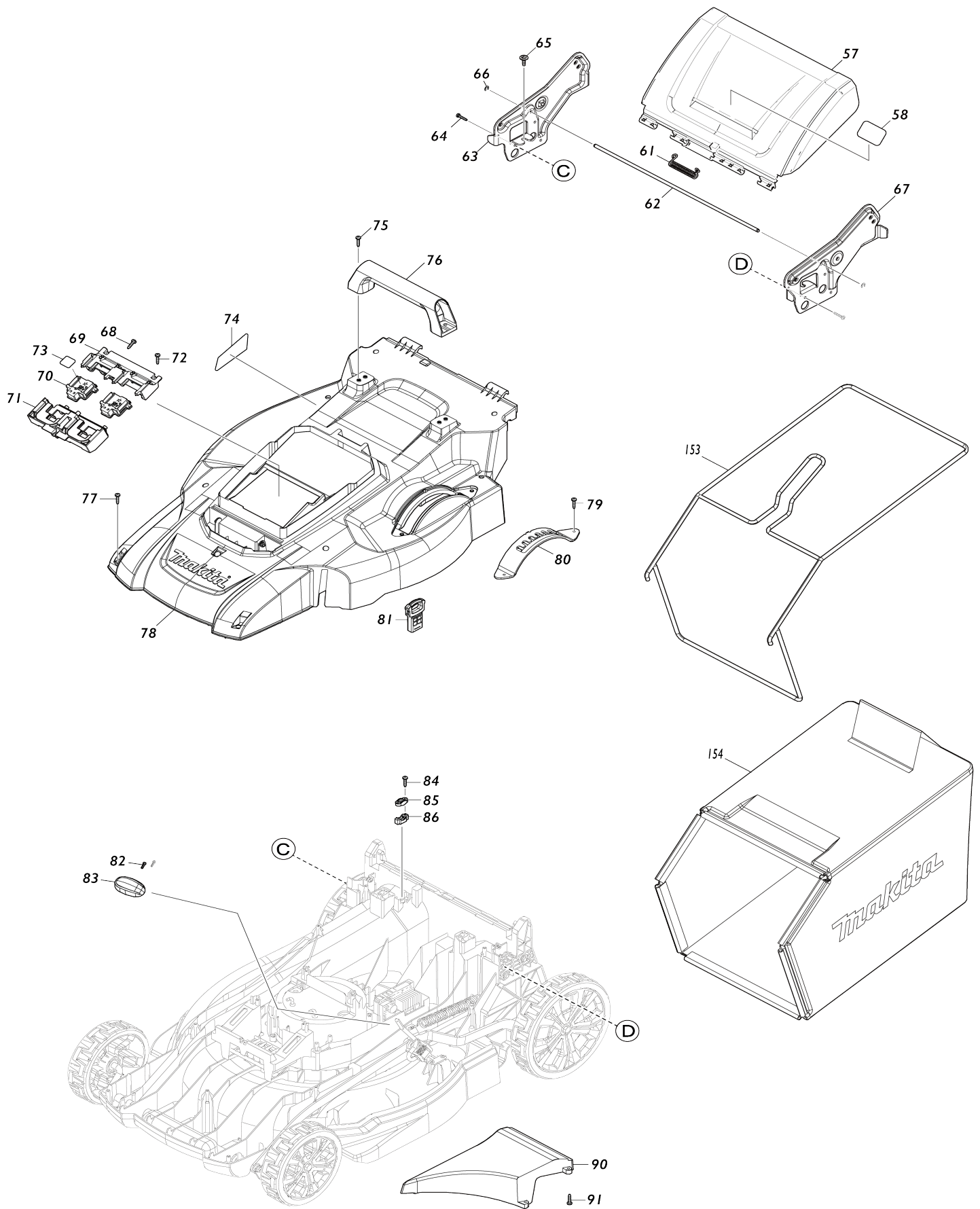


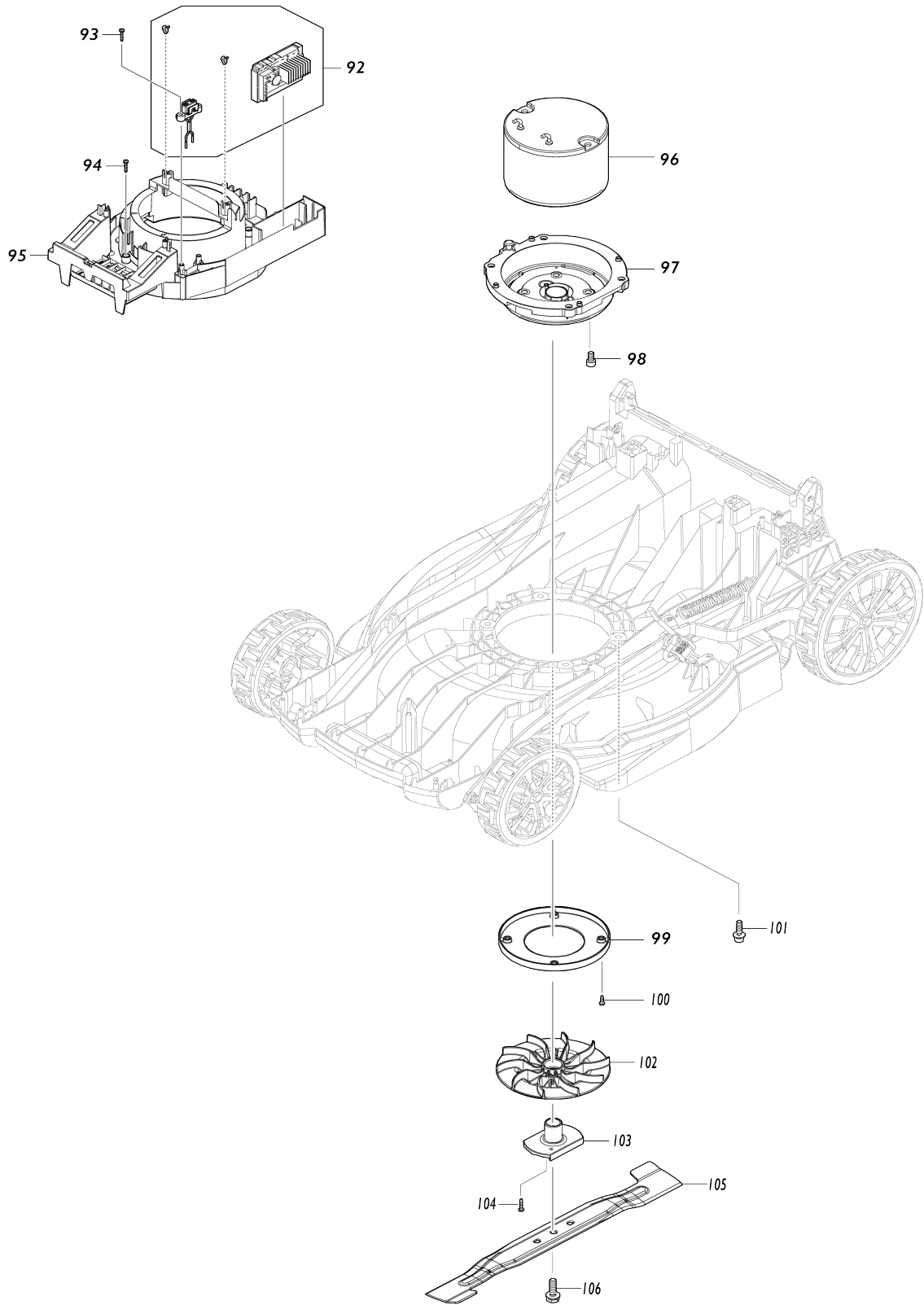
Model No.DLM480 480MM CORDLESS LAWN MOWER



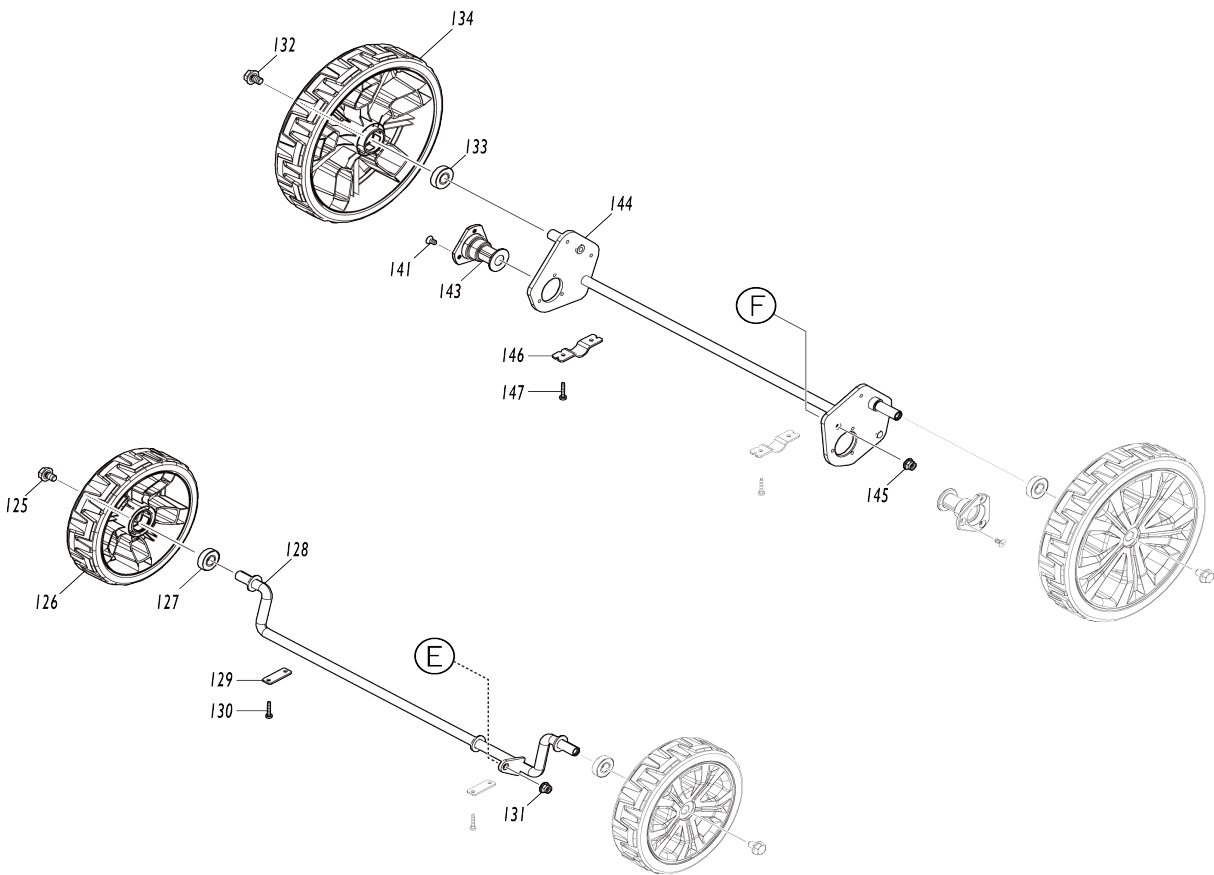
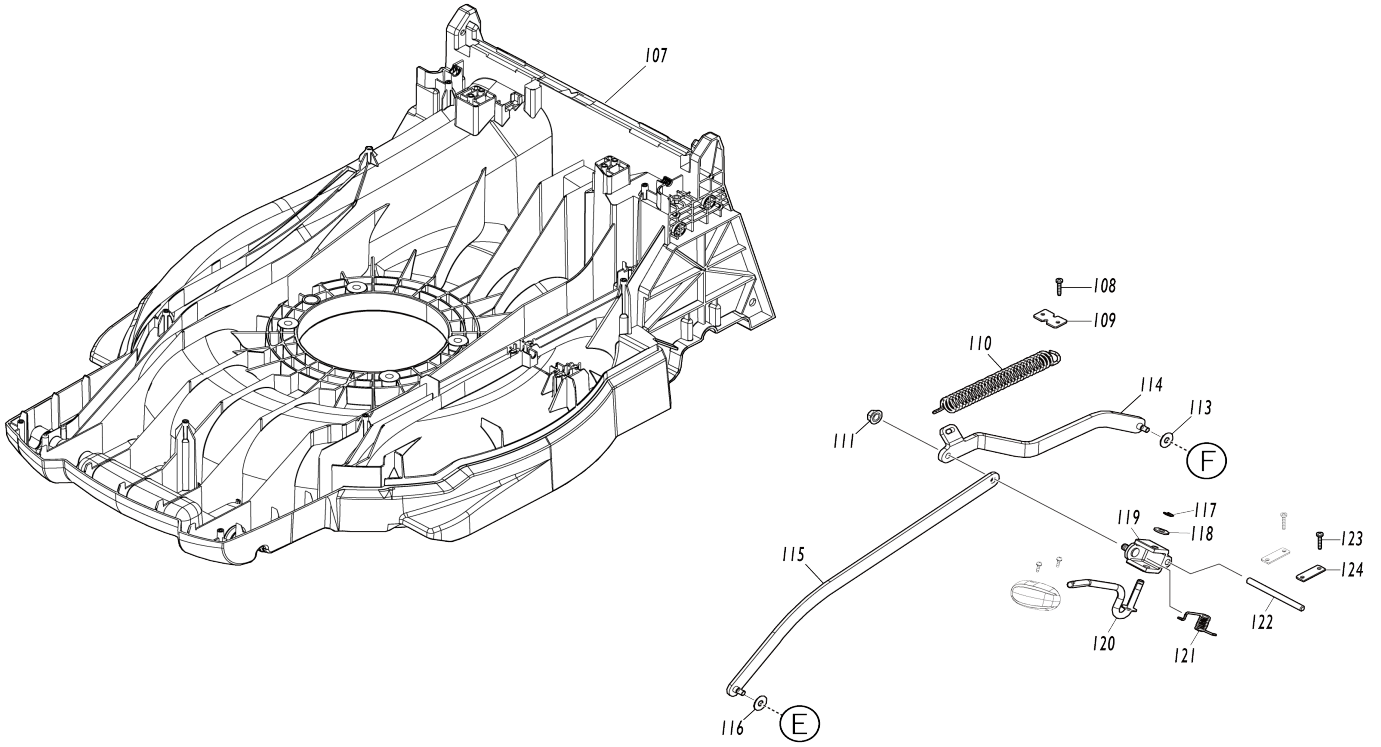
Model No.DLM480 480MM CORDLESS LAWN MOWER



Model No.DLM480 480MM CORDLESS LAWN MOWER



Model No.DLM480 480MM CORDLESS LAWN MOWER



Model No.DLM480 480MM CORDLESS LAWN MOWER

Item No.	Parts No.	Description	Interchangability	Q'ty	New/Old	Note1	Note2
C10	453974-8	LATCH		4			
A12	196875-4	BATTERY BL1415N SET		1	*		
A12-1	196875-4	BATTERY BL1415N SET	O	1	*		
A12-2	196875-4	BATTERY BL1415N SET	O	1			
A12-1	197122-6	BATTERY BL1450 SET		1	*		
A12-2	197122-6	BATTERY BL1450 SET	O	1			
012	327424-8	SWITCH LEVER		1			
013	266424-2	TAPPING SCREW 4X20		7			
014	183V31-7	SWITCH BOX SET		1			
C10	8045G7-5	INDICATION LABEL		1			
D10		INC. 23					
015	231227-3	COMPRESSION SPRING 15		1			
016	413A99-6	SWITCH LEVER SUPPORT R		1			
C10	931102-0	HEX. NUT M4		1			
017	413B00-7	LOCK OFF BUTTON		1			
018	911138-5	P.H.SCREW M4X20 WITH WR		1			
019	651083-9	SWITCH C3XA-1PSPM		1			
020	266424-2	TAPPING SCREW 4X20		2			
021	687123-7	STRAIN RELIEF		1	*		
021-1	687124-5	STRAIN RELIEF	O	1			
022	141H35-1	SWITCH CIRCUIT COMPLETE		1			
C10	810D46-0	SWITCH LABEL		1			
023	183V31-7	SWITCH BOX SET		1			
C10	8045G7-5	INDICATION LABEL		1			
D10		INC. 14					
027	183U21-4	LEVER BOX SET		1			
D10		INC. 38					
035	459863-5	SWITCH LEVER SUPPORT L		1			
C10	931102-0	HEX. NUT M4		1			
036	232575-3	TORSION SPRING 12		1			
037	911138-5	P.H.SCREW M4X20 WITH WR		1			
038	183U21-4	LEVER BOX SET		1			
D10		INC. 27					
039	266424-2	TAPPING SCREW 4X20		4			
040	699184-5	POWER SUPPLY CORD UNIT		1			
041	327871-3	HANDLE UPPER		1			
043	265C08-1	FLAT HEAD BOLT M8X50		2			
044	265C06-5	THUMB NUT M8		2			
045	413944-9	CLAMP		1			
C10	931102-0	HEX. NUT M4		1			
046	911163-6	PAN HEAD SCREW M4X35		1			
047	122A73-0	HANDLE LOWER ASSEMBLY		1			
D10		INC. 48-52					
048	258004-8	SPRING PIN 2.5-16		2			
049	413943-1	KNOB		2			
050	327877-1	LOCK HOLDER		2			
051	234121-8	COMPRESSION SPRING 8		2			

052	327876-3	LOCK PIN		2		
053	265C07-3	HEX. BOLT M8		2		
054	141H43-2	BATTERY COVER COMPLETE		1		
C10	8044A3-5	CAUTION LABEL		1		
055	231037-8	COMPRESSION SPRING 7		1		
056	413B03-1	LOCK LEVER		1		
057	141J55-7	REAR FLAP COMPLETE		1		
D10		INC. 58				
058	8047H4-0	CAUTION LABEL		1		
061	232721-8	TORSION SPRING 8		1		
062	327874-7	ROD 6		1		
063	347867-8	HANDLE BRACKET R		1		
064	266553-1	TAPPING SCREW 5X30		6		
065	265C05-7	TAPPING SCREW FRANGE 5X20		2		
066	961018-5	STOP RING E-5		2	*	
066-1	259084-7	STOP RING (EXT) E-5	O	2		
067	347866-0	HANDLE BRACKET L		1		
068	266424-2	TAPPING SCREW 4X20		3		
069	183N35-1	TERMINAL HOUSING SET		1		
C10	263005-3	RUBBER PIN 6		4		
D10		INC. 71				
070	644809-6	TERMINAL		2		
071	183N35-1	TERMINAL HOUSING SET		1		
C10	263005-3	RUBBER PIN 6		4		
D10		INC. 69				
072	266424-2	TAPPING SCREW 4X20		3		
073	8114E2-8	DLM480 SERIAL NO. LABEL		1		
074	8114D9-7	DLM480 NAME PLATE		1		
075	266424-2	TAPPING SCREW 4X20		4		
076	413938-4	REAR GRIP		1		
077	266424-2	TAPPING SCREW 4X20		11		
078	141J46-8	COWLING COMPLETE		1		
C10	422789-4	SPONGE SEAL		1		
C20	8031N0-1	INDICATION LABEL		2		
079	266424-2	TAPPING SCREW 4X20		2		
080	162993-0	HEIGHT ADJUST PLATE		1		
081	643535-4	KEY		1		
082	266816-5	+ PAN HEAD SCREW M3X12 WIT H WR		2	*	
082-1	265C97-6	+ PAN HEAD SCREW M3X12 WIT H WR	O	2		
083	413939-2	HEIGHT ADJUST LEVER GRIP		1		
084	266424-2	TAPPING SCREW 4X20		2		
085	687123-7	STRAIN RELIEF		1		
086	687051-6	STRAIN RELIEF		1		
090	413924-5	DECK REAR COVER		1		
091	266424-2	TAPPING SCREW 4X20		4		
092	620G78-5	CONTROLLER		1		
093	266424-2	TAPPING SCREW 4X20		2		
094	266424-2	TAPPING SCREW 4X20		4		
095	413B05-7	MOTOR COVER		1		
096	629A88-3	DC MOTOR		1		

097	141H61-0	MOTOR BRACKET COMPLETE		1		
098	922422-3	HEX. SOCKET HEAD BOLT M8X16		4		
099	459853-8	BAFFLE PLATE		1		
100	266385-6	TAPPING SCREW 4X14		4		
101	265C22-7	H.S.H.BOLT M8X30 WITH WG		4		
102	240229-8	FAN 170		1		
103	313393-9	BLADE SUPPORT 480		1		
104	266424-2	TAPPING SCREW 4X20		2		
105	191V97-3	BLADE 480 SET		1		
106	265A69-9	HEX. BOLT M10X35 WITH WG		1	*	
106-1	265D72-8	HEX. BOLT M10X35 WG	<	1		
107	413A62-9	DECK		1		
108	266424-2	TAPPING SCREW 4X20		2		
109	347870-9	HOOK PLATE		1		
110	232717-9	TENSION SPRING 17		1		
111	252301-4	HEX. FLANGE LOCK NUT M6-10		1		
112	8046H7-8	INDICATION LABEL		1		
113	253731-2	FLAT WASHER 8		1		
114	347873-3	CONNECTING ROD R		1		
115	347872-5	CONNECTING ROD F		1		
116	253731-2	FLAT WASHER 8		1		
117	961012-7	STOP RING E-6		1	*	
117-1	259085-5	STOP RING (EXT)E-6	O	1		
118	267281-1	FLAT WASHER 8		1		
119	313389-0	ROD HOLDER		1		
120	327872-1	HEIGHT ADJUST LEVER		1		
121	232715-3	TORSION SPRING 9		1		
122	327873-9	ROD 7		1		
123	266424-2	TAPPING SCREW 4X20		4		
124	347869-4	PLATE		2		
125	265324-3	HEX. FLANGE HEAD BOLT M8X12		2		
126	141E34-5	TIRE 180 COMPLETE		2		
127	210163-6	BALL BEARING 6001DDW		2		
128	162991-4	FRONT SHAFT		1		
129	347869-4	PLATE		2		
130	266424-2	TAPPING SCREW 4X20		4		
131	252301-4	HEX. FLANGE LOCK NUT M6-10		1		
132	265324-3	HEX. FLANGE HEAD BOLT M8X12		2		
133	210163-6	BALL BEARING 6001DDW		2		
134	141E35-3	TIRE 230 COMPLETE		2		
141	251951-2	HEX. SOCKET C.S.H. SCREW M5X10		6		
143	313390-5	REAR SHAFT HOLDER		2		
144	162992-2	REAR SHAFT		1		
145	252301-4	HEX. FLANGE LOCK NUT M6-10		1		
146	347865-2	CLAMP 19		2		
147	266553-1	TAPPING SCREW 5X30		4		
153	162A29-1	GRASS CATCHER BRACKET		1	*	
153-1	162C44-7	GRASS CATCHER BRACKET	<	1		
154	162A28-3	GRASS CATCHER		1	*	
154-1	162C11-2	GRASS CATCHER	<	1		
A01	327589-6	ROD 6		1		

A02	413946-5	MULCHING PLUG 480		1		
A03	782210-8	SOCKET WRENCH 17		1		
A04	***DC18RD	DC18RD TWO PORT FAST CHARGER		1		
D10		COMPO-PARTS				
A05	197280-8	BATTERY BL1850B SET		2		
F01	191V97-3	BLADE 480 SET		1		
F02	191Y64-6	BLADE 480 SET		1		

Please state Parts No. when your order.

Print Date 06/10/2024