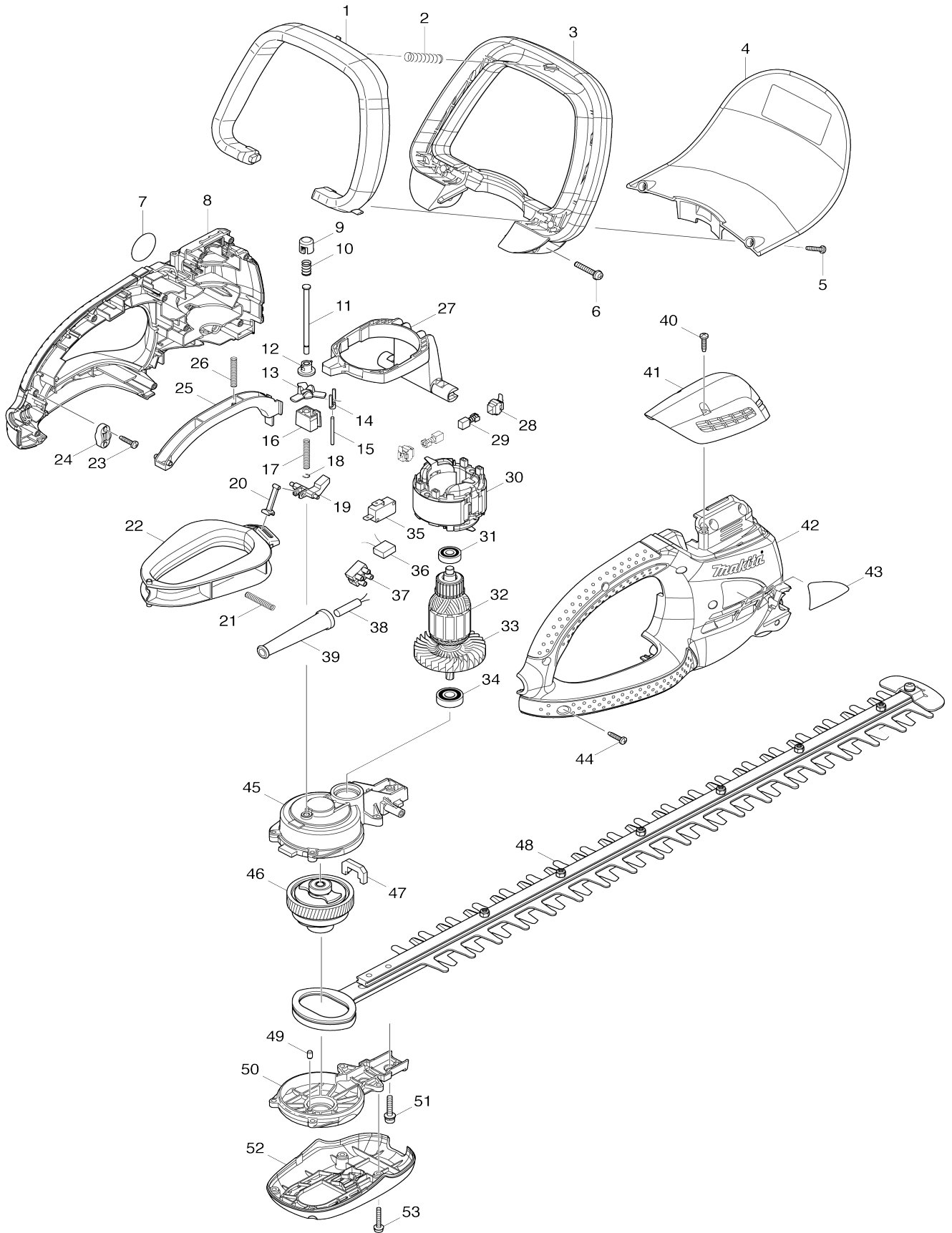


Model No.UH5580 HEDGE TRIMMER 550MM



Model No.UH5580 HEDGE TRIMMER 550MM

| Item No. | Parts No. | Description | Interchangability | Q'ty | New/Old | Note1 | Note2 |
|----------|-----------|-----------------------------|-------------------|------|---------|-------|-------|
| 001 | 450444-8 | SWITCH LEVER B | | 1 | | | |
| 002 | 233157-4 | COMPRESSION SPRING 9 | | 1 | | | |
| 003 | 450442-2 | FRONT GRIP | | 1 | | | |
| 004 | 158629-7 | PROTECTOR COMPLETE | | 1 | * | | |
| 004-1 | 141J42-6 | PROTECTOR COMPLETE | < | 1 | * | | |
| 004-2 | 1410D7-6 | PROTECTOR COMPLETE | O | 1 | | | |
| C10 | 8074L2-3 | CAUTION LABEL | | 1 | | | |
| 005 | 265995-6 | TAPPING SCREW 4X18 | | 2 | | | |
| 006 | 911253-5 | PAN HEAD SCREW M5X30 | | 2 | | | |
| 008 | 188569-5 | HOUSING SET | | 1 | | | |
| D10 | | INC. 42 | | | | | |
| 009 | 417740-7 | INSULATION CAP | | 1 | | | |
| 010 | 233288-9 | COMPRESSION SPRING 8 | | 1 | | | |
| 011 | 268077-3 | PIN 5 | | 1 | | | |
| 012 | 417727-9 | CAP HOLDER | | 1 | | | |
| 013 | 417736-8 | LIFTER | | 1 | | | |
| 014 | 417735-0 | PUSHER CAP | | 1 | | | |
| 015 | 268078-1 | PIN 3 | | 1 | | | |
| 016 | 417781-3 | PIN HOLDER | | 1 | | | |
| 017 | 233156-6 | COMPRESSION SPRING 5 | | 1 | | | |
| 018 | 257934-0 | STOP RING E-4 | | 1 | | | |
| 019 | 417737-6 | LINK | | 1 | | | |
| 020 | 417739-2 | ROD | | 1 | | | |
| 021 | 233156-6 | COMPRESSION SPRING 5 | | 1 | | | |
| 022 | 417731-8 | SWITCH LEVER C | | 1 | | | |
| 023 | 265995-6 | TAPPING SCREW 4X18 | | 2 | | | |
| 024 | 687063-9 | CORD CLAMP | | 1 | | | |
| 025 | 450443-0 | SWITCH LEVER A | | 1 | | | |
| 026 | 233156-6 | COMPRESSION SPRING 5 | | 1 | | | |
| 027 | 417738-4 | LEVER | | 1 | | | |
| 028 | 643936-6 | BRUSH HOLDER | | 2 | | | |
| 029 | 191962-4 | CARBON BRUSH CB-419 | | 1 | | | |
| 030 | 594578-8 | FIELD ASS'Y 220-240V | | 1 | * | | |
| C10 | 654069-2 | RECEPTACLE | | 2 | * | | |
| 030-1 | 599126-8 | FIELD ASSY 220-240V | < | 1 | | | |
| C10 | 654069-2 | RECEPTACLE | | 2 | | | |
| 031 | 211032-4 | BALL BEARING 608ZZ | | 1 | | | |
| 032 | 516499-4 | ARMATURE ASS'Y 220-240V | | 1 | | | |
| D10 | | INC. 31,33,34 | | | | | |
| 033 | 241858-0 | FAN 70 | | 1 | | | |
| 034 | 211062-5 | BALL BEARING 6000ZZ | | 1 | | | |
| 035 | 650522-6 | SWITCH | | 1 | * | | |
| 035-1 | 650593-3 | SWITCH | O | 1 | | | |
| 036 | 645185-1 | NOISE SUPPRESSOR | | 1 | * | | |
| 036-1 | 645105-5 | NOISE SUPPRESSOR | O | 1 | | | |
| 037 | 654531-7 | TERMINAL BLOCK 2P | | 1 | | | |
| 038 | 666246-4 | POWER SUPPLY CORD 1.5-2-0.3 | | 1 | | | |
| | | | | | | | |

| | | | | | | |
|-------|----------|--------------------------|---|----|---|--|
| 039 | 682503-2 | CORD GUARD 8-90 | | 1 | | |
| 040 | 265995-6 | TAPPING SCREW 4X18 | | 2 | | |
| 041 | 450445-6 | TOP COVER | | 1 | | |
| 042 | 188569-5 | HOUSING SET | | 1 | | |
| D10 | | INC. 8 | | | | |
| 043 | 865791-8 | UH5580 NAME PLATE | | 1 | | |
| 044 | 265995-6 | TAPPING SCREW 4X18 | | 10 | | |
| 045 | 318257-2 | GEAR HOUSING | | 1 | | |
| 046 | 135217-7 | GEAR ASSY | | 1 | | |
| 047 | 443142-1 | DUST GUARD | | 1 | | |
| 048 | 194671-4 | SHEAR BLADE ASS'Y SET | | 1 | | |
| C10 | 252184-2 | HEX.LOCK NUT M5-8 | | 5 | | |
| C20 | 257717-8 | SLEEVE 5 | | 7 | | |
| C30 | 265181-9 | +TRUSS HEAD SCREW M5X20 | | 5 | | |
| C40 | 345205-8 | BRANCH CATCHER | | 1 | | |
| C50 | 911208-0 | PAN HEAD SCREW M5X10 | | 1 | | |
| C60 | 188605-7 | OIL VESSEL SET | | 1 | | |
| 049 | 263002-9 | RUBBER PIN 4 | | 1 | | |
| 050 | 318265-3 | GEAR HOUSING COVER | | 1 | | |
| 051 | 265182-7 | + PAN HEAD SCREW M5X25 | | 2 | | |
| 052 | 450440-6 | UNDER COVER | | 1 | | |
| 053 | 911148-2 | PAN HEAD SCREW M4X25 | | 4 | | |
| A01 | 194677-2 | CORD HOLDER COMPLETE SET | | 1 | * | |
| A01-1 | 194677-2 | CORD HOLDER COMPLETE SET | O | 1 | | |
| A02 | 158024-1 | HOOK COMPLETE | | 1 | | |
| A03 | 450489-6 | BLADE COVER | | 1 | | |
| F04 | 194679-8 | ARM BAND COMPLETE SET | | 1 | * | |
| F04-1 | 194679-8 | ARM BAND COMPLETE SET | O | 1 | | |
| F05 | 194681-1 | CHIP RECEIVER ASS'Y SET | | 1 | | |

Please state Parts No. when your order.

Print Date 09/07/2024