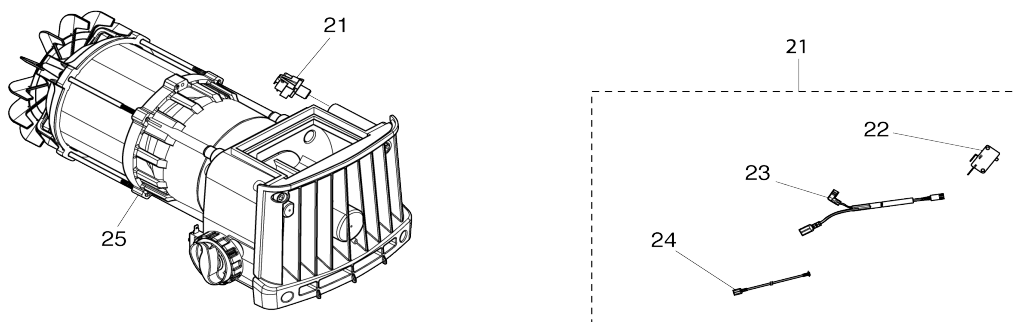
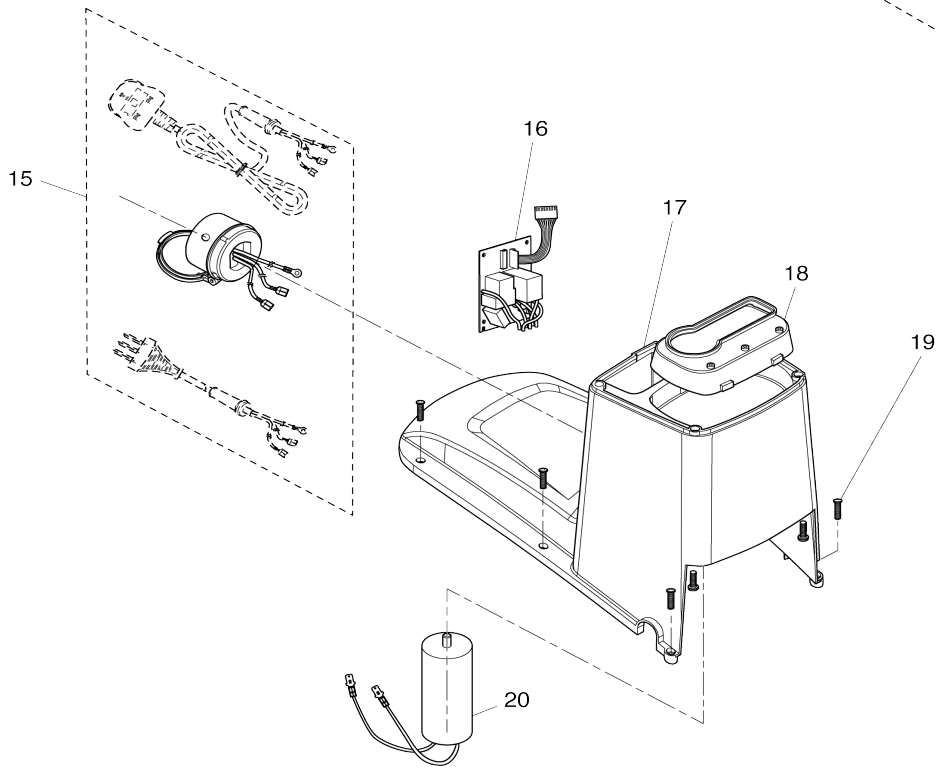
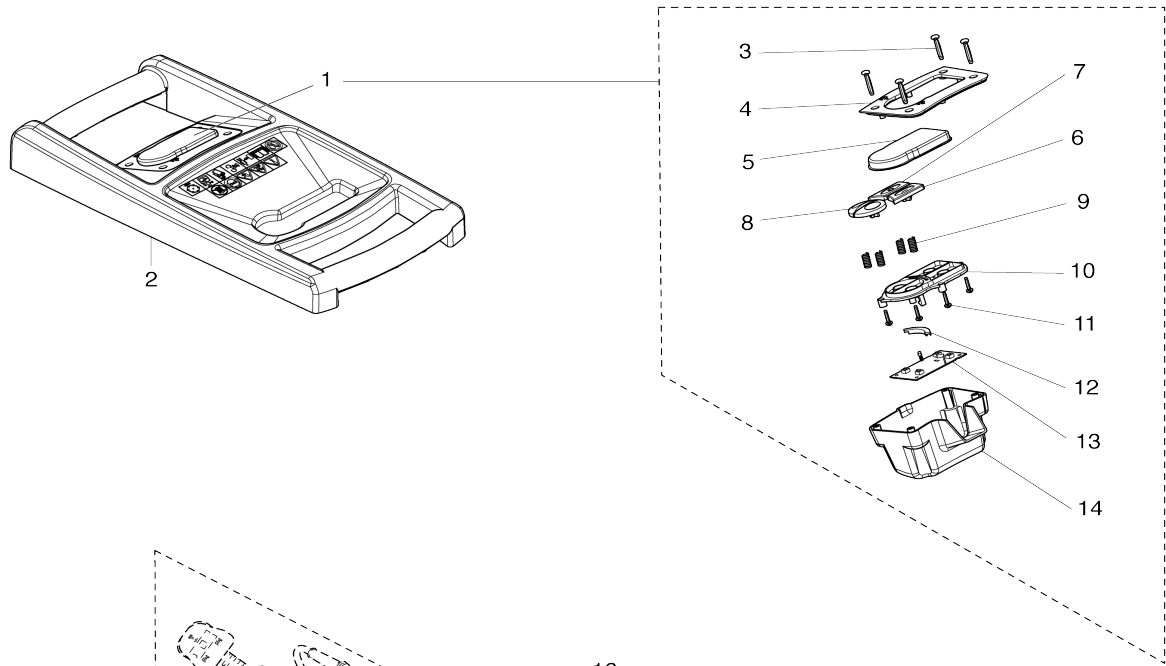
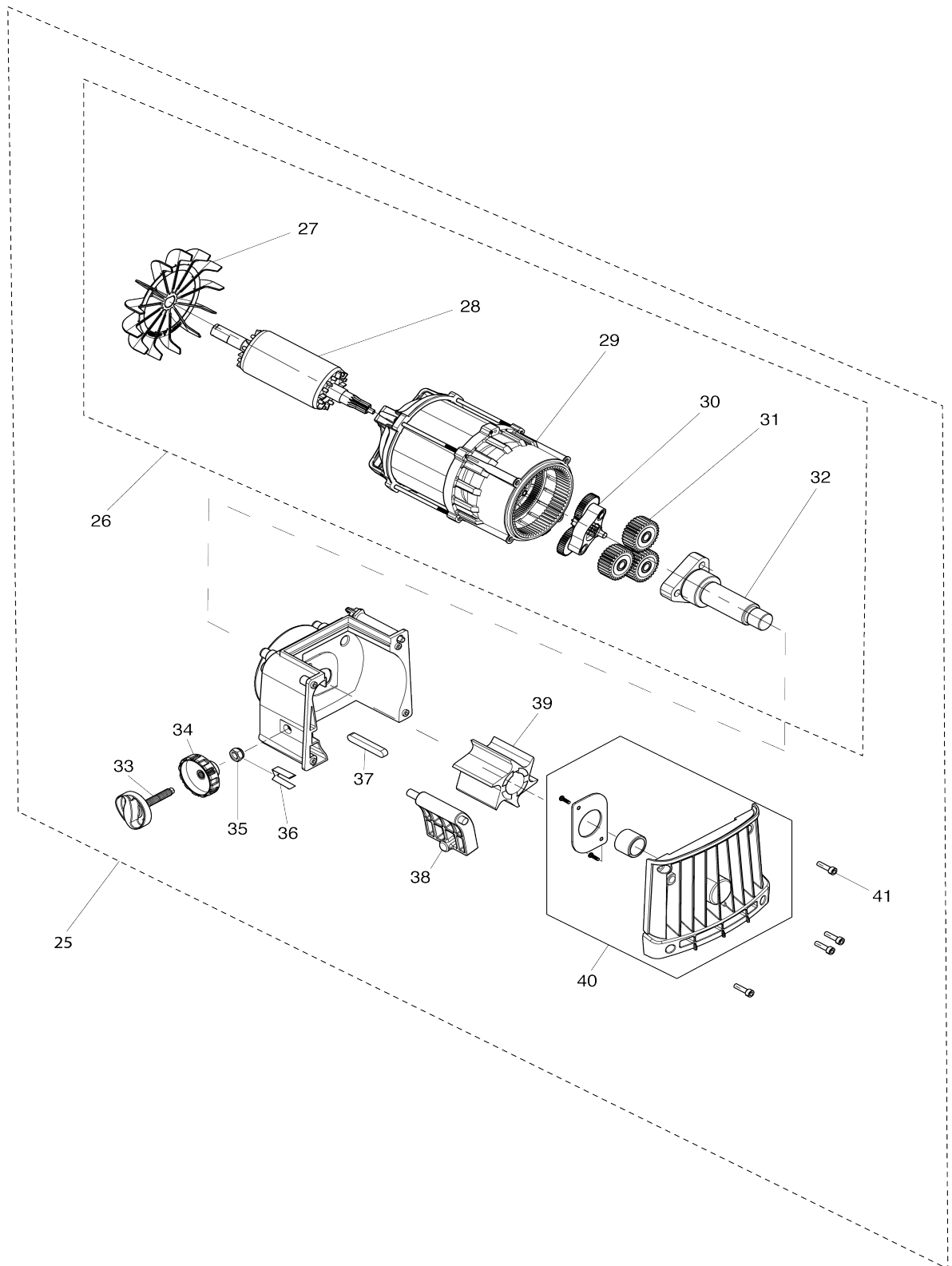


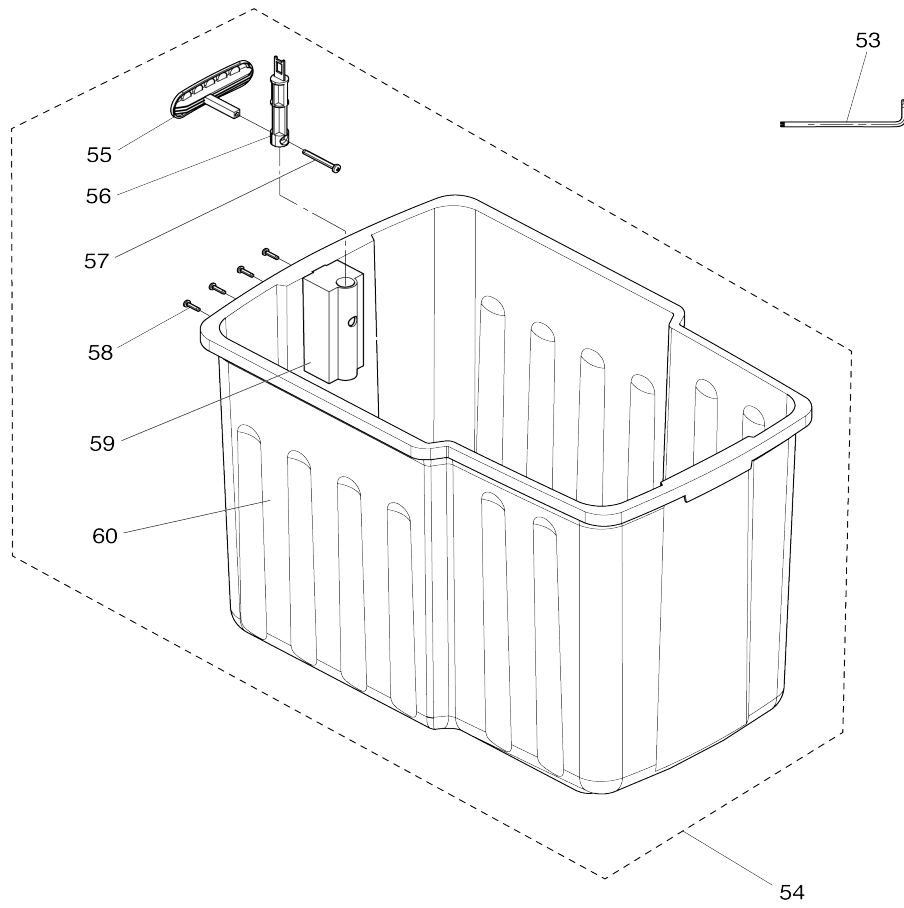
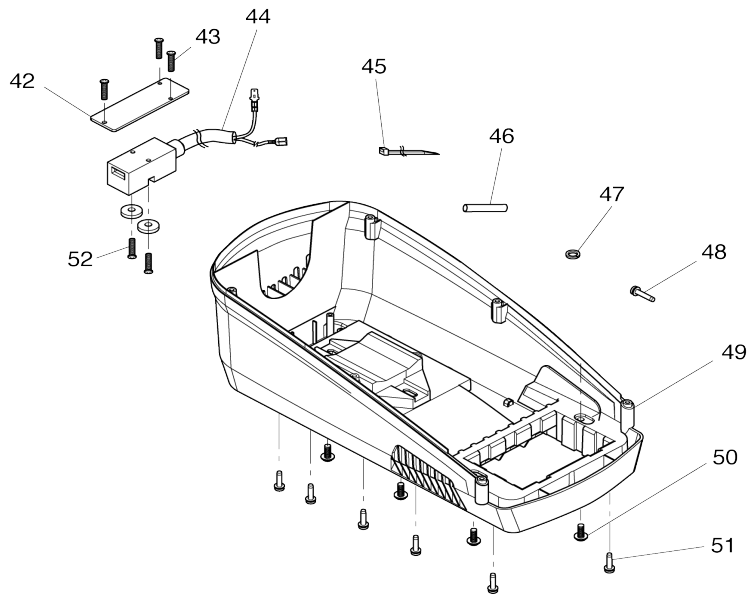
Model No.UD2500 ELECTRIC SHREDDER



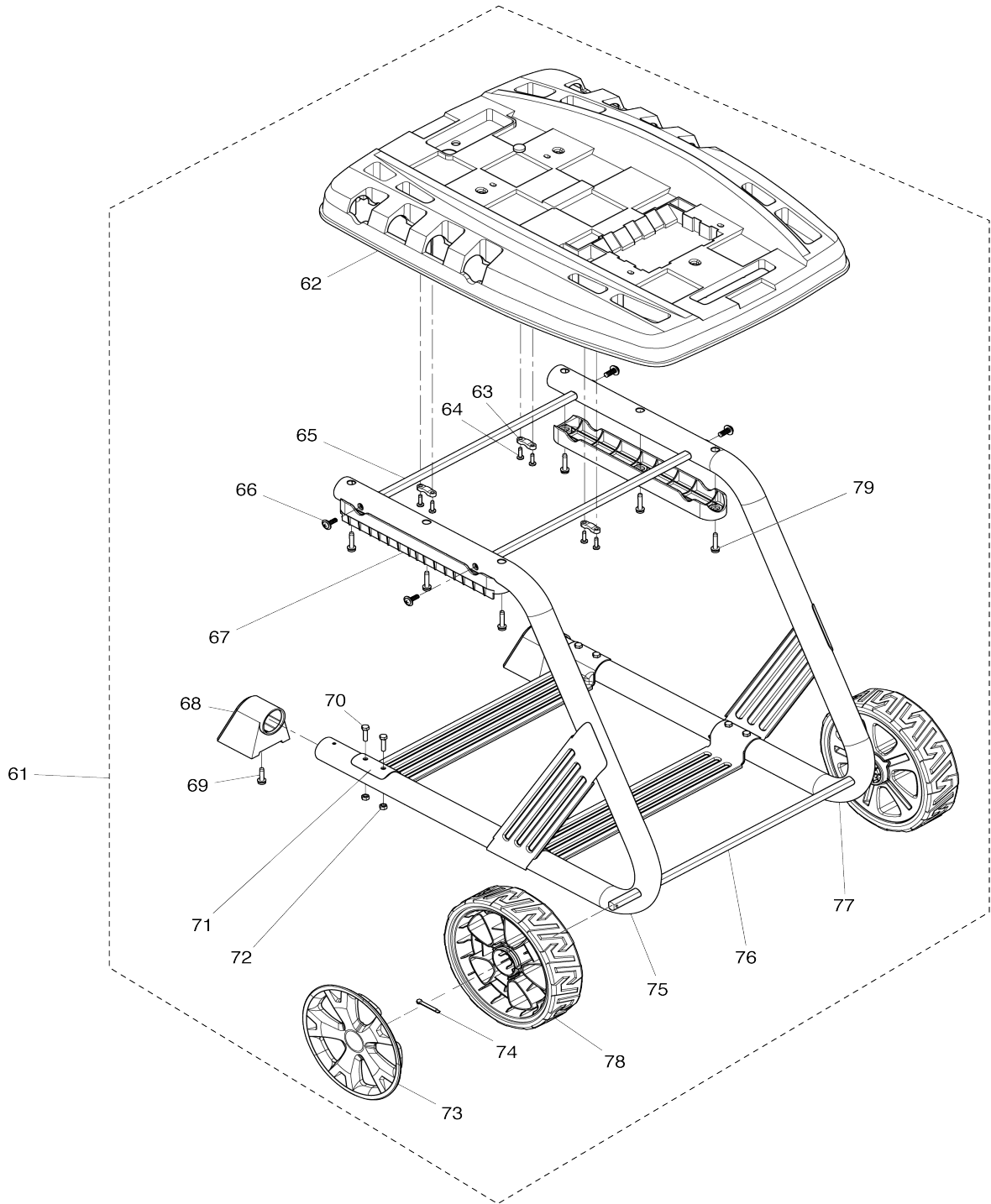
Model No.UD2500 ELECTRIC SHREDDER



Model No.UD2500 ELECTRIC SHREDDER



Model No.UD2500 ELECTRIC SHREDDER



Model No.UD2500 ELECTRIC SHREDDER

Item No.	Parts No.	Description	Interchangeability	Q'ty	New/Old	Note1	Note2
001	652023652	SWITCH BOX ASS'Y		1			
D10		INC.3-14,80					
002	652024820	HANDLE WITH PLATES		1	*		
002-1	652024820	HANDLE WITH PLATES	O	1			
003	652023653	T20 TAPPING SCREW 4X16		4	*		
003-1	652023653	T20 TAPPING SCREW 4X16	O	4			
004	652023654	SWITCH BOX UPPER COVER		1			
005	652023655	WATER PROOF COVER		1			
006	652023656	SWITCH BUTTON I GREEN		1	*		
006-1	652023656	SWITCH BUTTON I GREEN	O	1			
007	652023657	SWITCH BUTTON O RED		1	*		
007-1	652023657	SWITCH BUTTON O RED	O	1			
008	652023658	SWITCH BUTTON YELLOW		2	*		
008-1	652023658	SWITCH BUTTON YELLOW	O	2			
009	652023659	SPRING		4			
010	652023660	PRESSBOARD		1	*		
010-1	YA00000724	PRESSBOARD	O	1			
011	652023661	TRUSS HEAD TAPPING SCREW 3X8		4			
012	652023662	LIGHT GUIDE COVER		1			
013	652023663	PCB BOARD		1			
014	652023664	SWITCH BOX LOWER COVER		1			
015	652023666	PLUG COVER ASS'Y		1			
016	652023676	CONTROL PCB		1	*		
016-1	YA00001299	CONTROL PCB SET	>	1			
017	652025247	UPPER HOUSING (MAKITA)		1			
018	652023679	HOPPER		1			
019	652023680	T20 TAPPING SCREW 5X25		12	*		
019-1	652023680	T20 TAPPING SCREW 5X25	O	6			
020	652024821	CAPACITOR 45MICRO F 450V AC		1	*		
020-1	652024821	CAPACITOR 45MICRO F 450V AC	O	1			
021	652024824	SAFTY SWITCH ASS'Y		1			
D10		INC.22,24					
022	652024825	MICRO SWITCH		2			
023	652024826	2 CORE CONNECTION LINE		4	*		
024	652024827	CONNECTION LINE		1			
025	652023682	MOTOR ASS'Y		1			
D10		INC.26,33,34,35,36,37,38,39					
D20		INC.40,41,82,83,84					
026	652023732	TRANSMISSION PART		1			
D10		INC.27,28,29,30,31,32,85,88					
D20		INC.89,90,91					
D21		INC.89,90,91,95					
027	YA00000696	FAN		1			
028	YA00000699	ARMATURE ASS'Y		1			
029	YA00000700	INTERNAL GEAR ASS'Y		1			
030	YA00000702	GEAR COMPLETE		1			
031	YA00000701	SECONDARY GEAR		1	*		

031-1	YA00000701	SECONDARY GEAR	O	3			
032	YA00000698	SPNDLE ASS'Y		1			
033	652023702	ADJUSTING KNOB M10		1	*		
033-1	652023702	ADJUSTING KNOB M10	O	1			
034	652023700	LOCK KNOB		1			
035	652023699	SELF-LOCKING NUT		1			
036	652023704	PRESS BOARD		1	*		
036-1	YA00000706	FIXED SPRING SHEET	<	1			
037	652023697	KEY		1			
038	652023709	FEEDING BAFFLE PLATE		1			
039	652023710	CYLINDER		1			
040	652024822	FRONT COVER ASS'Y		1			
041	652024823	HEX SOCKET HEAD BOLT M6X30 W/W		4	*		
041-1	652024823	HEX SOCKET HEAD BOLT M6X30 W/W	O	4			
042	652023717	SWITCH PRESSBOARD		1			
043	652024828	FLANGED TAPPING SCREW 4X12		3	*		
043-1	652024828	FLANGED TAPPING SCREW 4X12	O	3			
044	652023719	SWITCH ASS'Y		1			
045	652023726	NYLON TIE		6	*		
045-1	652023726	NYLON TIE	O	3			
046	652024829	HEAD SHRINKABLE TUBE		1			
047	652023728	INTERNAL TEETH LOCK WASHER 5		1	*		
047-1	652023728	INTERNAL TEETH LOCK WASHER 5	O	1			
048	652023729	PAN HEAD SCREW M5X16 WITH WG		1	*		
048-1	652023729	PAN HEAD SCREW M5X16 WITH WG	O	1			
049	652023730	LOWER HOUSTING		1			
050	652023731	PAN HEAD SCREW ST5X25 WITH WG		4	*		
050-1	652023731	PAN HEAD SCREW ST5X25 WITH WG	O	4			
051	652023747	TAPPING SCREW ST5X25 WITH WG		6	*		
051-1	652023747	TAPPING SCREW ST5X25 WITH WG	O	6			
052	652023680	T20 TAPPING SCREW 5X25		2	*		
052-1	652023680	T20 TAPPING SCREW 5X25	O	2			
053	652024836	HEX. KEY WRENCH 5		1	*		
053-1	652024836	HEX. KEY WRENCH 5	O	1	*		
054	652025248	COLLECTION BOX ASS'Y (MAKITA)		1			
D10		INC.55-60					
055	652025249	PUSH BUTTON (MAKITA)		1			
056	652023759	PUSH ROD		1			
057	652024835	TAPPING SCREW ST5X35		1	*		
057-1	652024835	TAPPING SCREW ST5X35	O	1			
058	652024828	FLANGED TAPPING SCREW 4X12		4	*		
058-1	652024828	FLANGED TAPPING SCREW 4X12	O	4			
059	652023757	PUSH BUTTON BASE		1			
060	YA00000685	COLLECTION BOX (MAKITA)		1			

061	652023736	FRAME ASS'Y		1		
D10		INC.62-79				
062	652023753	BOX COVER		1		
063	652023752	CABLE PRESSBOARD		3		
064	652024828	FLANGED TAPPING SCREW 4X12		6	*	
064-1	652024828	FLANGED TAPPING SCREW 4X12	O	6		
065	652023751	SUPPORTING AXLE		2		
066	652024833	PAN HEAD SCREW M6X16 WITH WG		4	*	
066-1	652024833	PAN HEAD SCREW M6X16 WITH WG	O	4		
067	652023749	FRAME FIX PLATE		2		
068	652023748	SUPPORTING FOOT		2		
069	652024832	TAPPING SCREW ST5X16 WITH WG		2	*	
069-1	652024832	TAPPING SCREW ST5X16 WITH WG	O	2		
070	652024831	HEX SOCKET HEAD BOLT M6X30 W/W		8	*	
070-1	652024831	HEX SOCKET HEAD BOLT M6X30 W/W	O	8		
071	652023745	BASE PLATE		2		
072	652023744	HEX LOCK NUT M5		8	*	
072-1	652023744	HEX LOCK NUT M5	O	8		
073	652023905	FRONT WHEEL COVER		2		
074	652023742	PIN		1		
075	652023741	RIGHT FRAME TUBE		1		
076	652023740	WHEEL AXLE		1		
077	652023739	LEFT FRAME TUBE		1		
078	652023737	WHEEL		2		
079	652023747	TAPPING SCREW ST5X25 WITH WG		6	*	
079-1	652023747	TAPPING SCREW ST5X25 WITH WG	O	6		
080	652023661	TRUSS HEAD TAPPING SCREW 3X8		4		
081	652023680	T20 TAPPING SCREW 5X25		4		
082	YA00001303	SWITCH LINKAGE		2		
083	YA00001304	SPRING FOR LINKAGE		2		
084	YA00001305	SWITCH FIXING BASE		2		
085	YA00001300	GEAR GUARD		1		
086	652023726	NYLON TIE		3		
087	YA00001199	FLAT WASHER 5 (L)		2		
088	YA00001302	CYLINDER COVER		1		
089	YA00000423	SPRING WASHER 6		4		
090	YA00001301	HEX SOCKET HEAD BOLT M6X35 W/W		4		
091	YA00001096	RETAINING RING S-17		1		
092	YA00001310	NAME PLATE UD2500		1		
093	YA00001308	NOISE LABEL		1		
094	YA00001309	OPERATING INSTRUCTIONS LABEL		1		
095	YA00001096	RETAINING RING S-17		1		
A01	652024836	HEX. KEY WRENCH 5		1		

Please state Parts No. when your order.

Print Date 23/10/2023