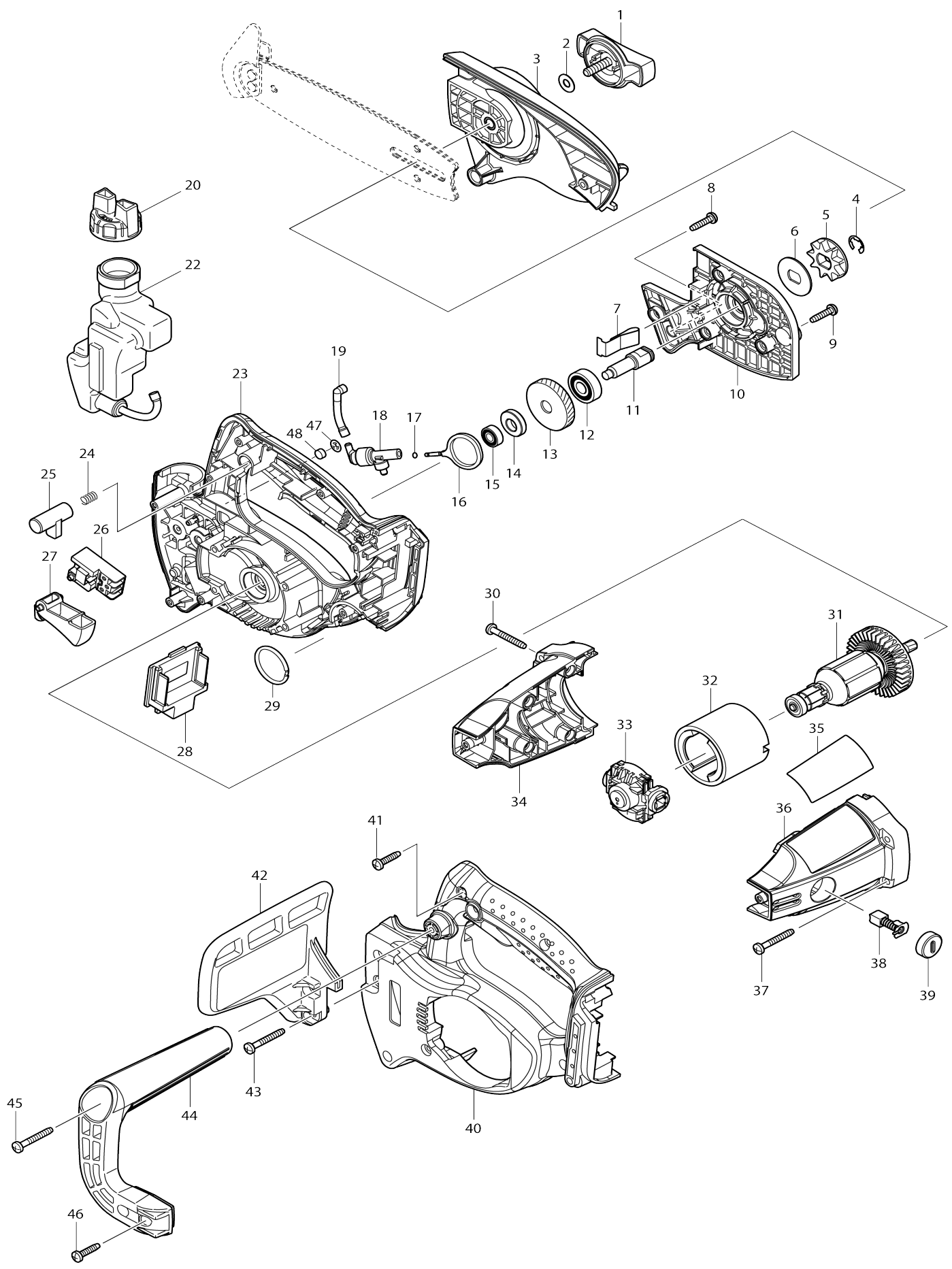


# Model No.DUC122 CORDLESS CHAIN SAW 115MM



Model No.DUC122 CORDLESS CHAIN SAW 115MM

Item No.	Parts No.	Description	Interchangability	Q'ty	New/Old	Note1	Note2
C10	453974-8	LATCH		4			
A12	196875-4	BATTERY BL1415N SET		1	*		
A12-1	196875-4	BATTERY BL1415N SET	O	1	*		
A12-2	196875-4	BATTERY BL1415N SET	O	1			
A12-1	197122-6	BATTERY BL1450 SET		1	*		
A12-2	197122-6	BATTERY BL1450 SET	O	1			
A07	781044-6	HEX. WRENCH 6		1			
F02	192628-9	CROWN MOLDING STOPPER (L.R)		1			
D10		INC. 60,61,63,68,69					
001	158472-4	KNOB 60 COMPLETE		1			
C10	816905-2	INDICATION LABEL		1			
002	267004-7	FLAT WASHER 6		1			
003	158471-6	SPROCKET COVER COMPLETE		1			
004	961014-3	STOP RING E-8		1			
005	221527-9	SPROCKET 9		1			
006	267732-4	LOCK WASHER 12		1	*		
006-1	253442-9	LOCK WASHER 12	<	1			
007	232238-1	LEAF SPRING		1			
008	265995-6	TAPPING SCREW 4X18		1			
009	265995-6	TAPPING SCREW 4X18		3			
010	450213-7	BEARING HOUSING		1			
011	323806-2	SPINDLE		1			
012	211051-0	BALL BEARING 609LLB		1			
013	226673-3	HELICAL GEAR 50		1			
014	450436-7	CAM		1			
015	210033-9	BALL BEARING 696ZZ		1			
016	450435-9	CRANK		1			
017	213993-4	O-RING 1.5		1			
018	158571-2	OIL PUMP COMPLETE		1			
019	421615-4	CONNECTOR		1			
020	158810-0	TANK CAP COMPLETE		1	*		
020-1	140L59-8	TANK CAP COMPLETE	O	1			
022	158634-4	OIL TANK COMPLETE		1			
023	187237-7	HANDLE SET		1	*		
D10		INC. 40					
023-1	187238-5	HANDLE SET	S	1			
D10		INC. 40					
024	231470-4	COMPRESSION SPRING 6		1			
025	416178-3	LOCK-OFF BUTTON		1	*		
025-1	413908-3	LOCK OFF BUTTON	<	1			
026	651956-6	SWITCH TG72BD		1			
027	450212-9	SWITCH LEVER		1			
028	644808-8	TERMINAL		1	*		
028-1	644809-6	TERMINAL	S	1			
029	257363-7	RING 30		1			
030	265995-6	TAPPING SCREW 4X18		4			
031	619225-1	ARMATURE		1			

032	638138-7	YOKE UNIT		1		
033	638608-6	ENDBELL COMPLETE		1		
034	188468-1	MOTOR HOUSING SET		1		
D10		INC. 36				
035	815W45-1	DUC122 NAME PLATE		1		
036	188468-1	MOTOR HOUSING SET		1		
D10		INC. 34				
037	266050-7	TAPPING SCREW 4X30		4		
038	191971-3	CARBON BRUSH CB-430		1		
039	643954-4	BRUSH HOLDER CAP		2		
040	187237-7	HANDLE SET		1	*	
D10		INC. 23				
040-1	187238-5	HANDLE SET	S	1		
D10		INC. 23				
041	265995-6	TAPPING SCREW 4X18		6		
042	158474-0	FRONT HAND GUARD COMPLETE		1		
C10	810376-5	CAUTION LABEL		1		
043	266050-7	TAPPING SCREW 4X30		2		
044	450217-9	FRONT HANDLE		1		
045	266050-7	TAPPING SCREW 4X30		1		
046	265995-6	TAPPING SCREW 4X18		2		
047	259041-5	PUSH NUT 8		1		
048	443125-1	FILTER		1		
A01	158476-6	GUIDE BAR 4.5 COMPLETE		1	*	
C10	168450-6	GUIDE BAR 4.5		1	*	
A01-1	158476-6	GUIDE BAR 4.5 COMPLETE	O	1		
C10	168450-6	GUIDE BAR 4.5		1		
A02	416311-7	GUIDE BAR CASE		1		
A03	182229-1	OIL SUPPLY 100CC		1	*	
A03-1	199897-3	OIL VESSEL SET	<	1		
A04	744003-1	FILE 4		1		
A05	194204-5	BATTERY BL1830 SET		2	*	
A05-1	194204-5	BATTERY BL1830 SET	O	2	*	
A05-2	197600-6	BATTERY BL1830B SET	<	2	*	
A05-3	197600-6	BATTERY BL1830B SET	O	2		
A06	450128-8	BATTERY COVER		1		
A07	***DC18RC	DC18RC FAST CHARGER		1		
A08	141494-1	PLASTIC CARRYING CASE		1		
C10	163455-1	LATCH		2		
C20	419360-3	HANDLE		1		
A09	804K16-1	DUC122RFE PLASTIC CASE LABEL		1	*	
A10	791284-8	CHAIN BLADE		1	*	
A10-1	191G95-7	SAW CHAIN 4.5 SET	O	1		
E01	620265-4	CONTROLLER		1	*	
E01-1	620G84-0	CONTROLLER	<	1		
E02	688172-7	LINE FILTER		1		
E03	810111-1	CAUTION TAG		1	*	
E03-1	817D83-5	CAUTION TAG	<	1	*	
E03-2	8039U0-8	CAUTION TAG	<	1		
E04	817D83-5	CAUTION TAG		1	*	
E04-1	8039U0-8	CAUTION TAG	<	1		

F06	197944-4	SPIKE BUMPER SET(EU)		1			
A05-1	196399-0	BATTERY BL1840 SET		2	*		
A05-2	197265-4	BATTERY BL1840B SET	<	2	*		
A05-3	197265-4	BATTERY BL1840B SET	O	2			
A09	804K20-0	DUC122RME PLASTIC CASE LABEL		1	*		
A05-1	197280-8	BATTERY BL1850B SET		2	*		
A05-2	197280-8	BATTERY BL1850B SET	O	2			
A09	807P62-3	DUC122RTE PLASTIC CASE LABEL		1	*		

Please state Parts No. when your order.

Print Date 06/10/2024